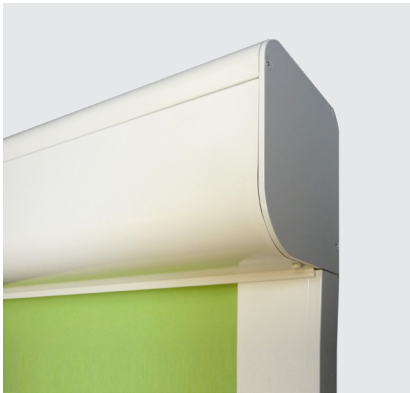


SK C49 Electric 7.4v

SK Cassetted Blinds



sol
komfort
interiors



SK C49 Electric 7.4v

Features:

The SK C49 electric cassetted blind with side channels features a 7.4v DC battery powered tubular motor. The cassette is designed for top or face fixing which accommodates a 40mm grooved aluminium barrel, housing the motor. The motor makes operation easy thanks to its remote control, with a quiet and soft start/stop motion and electronic stops. The fabric is locked into a groove in the barrel with studs fitted at the edge of the fabric to retain it within the side channels. Aluminium bottom bar. Black or white hardware as standard.

Benefits:

The SK C49 will keep the fabric looking its best thanks to the protection afforded by the headbox and the tracker side channels keeping the fabric taut. The remote control operated motorised elements of this system ensure ease of use and the limit stop functionality provides four intermediate pre-sets the user can set to stop the blind at different levels throughout the day.

Options:

Black or white hardware; tracker fabric retaining system; available in any RAL colour.

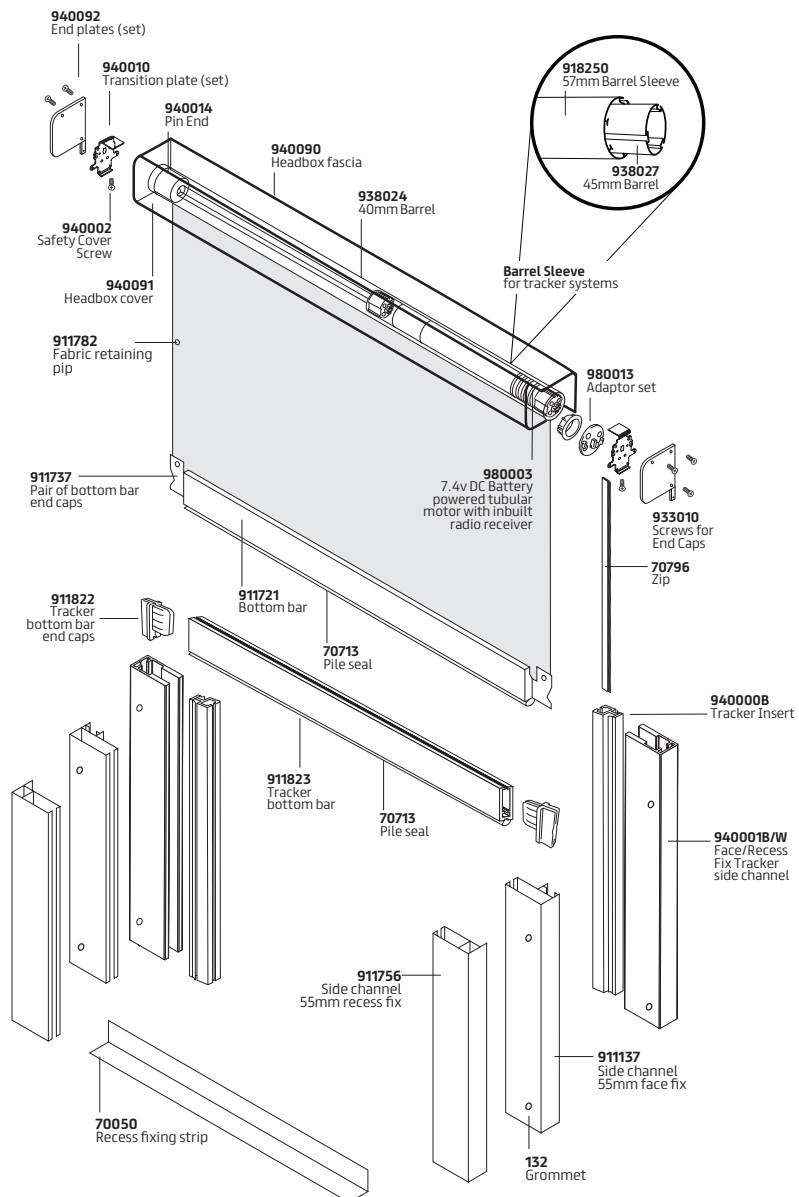
Specification:

The SK C49 electric cassetted blind with side channels. Flame retardant fabric from the SK range, locked into a grooved 40mm aluminium barrel along with an aluminium bottom bar as standard. 7.4v DC motor housed within a black/white aluminium cassette with side channels and bottom bar.

Please note: Caution should be used when installing in drafty conditions - blinds should not be left down in the situation of open windows.

Cassetted Blind Profile Dimension Guide

Model	Cassette Size (HxD)	Barrel Size Ø	Side Channel Size (WxD)
SK C49-60	77 x 73mm	40mm	55 x 13mm
SK C49-90	105 x 95mm	40mm	55 x 13mm



Find this product on NBS Source



This product range comes with a full Lifetime Warranty as standard.