

PANEL GLIDE SYSTEMS



GENERAL NOTES

Dimensions

- Measurements are in mm except where indicated.
- Max. kg relates to fabric incl. accessories.
- Stack size depends on panel width.
- Recommended distance floor / fabric: 20 mm.
- In order to determine system height (B), the smallest room height must be taken into account.





Fitting

- Installation by qualified fitter only.
- Number of brackets and fitting positions / fixing points vary depending on fitting surface, system weight, fabric make-up, screw / fixing type and obstacles.
- Qualified fitter must use appropriate screws / fixings for each situation.
- Profile lip if applicable to be installed to room side.
- Electrical installations must be carried out according to Silent Gliss wiring diagrams and conform to local regulations.
- Check space for cables and plugs!

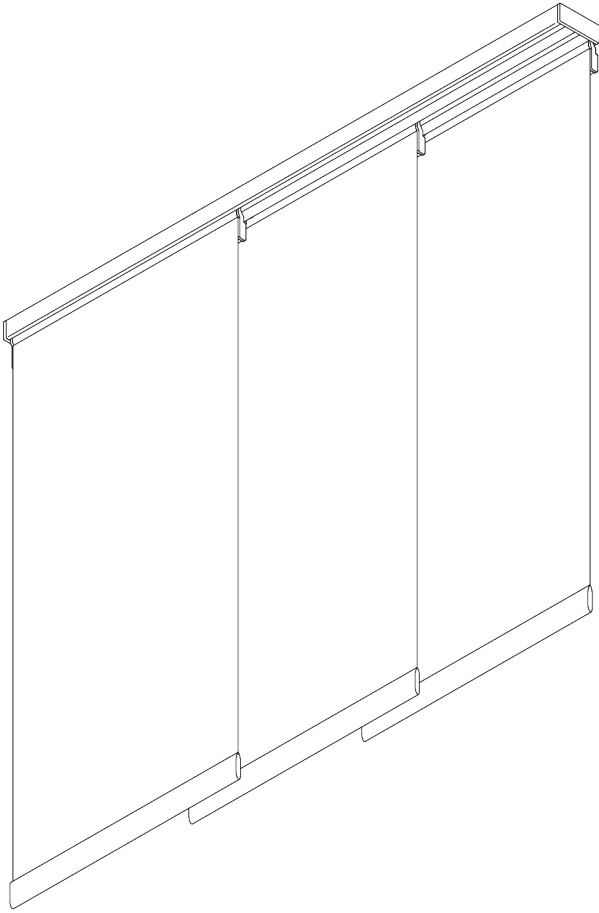
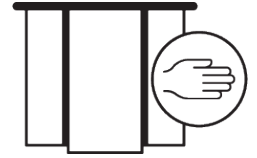
Child Safety

- All relevant Silent Gliss systems correspond to child safety EN 13120.
- All parties involved must comply with EN 13120.

APPLICATION CHART

<u>PAGE</u>	<u>SYSTEM</u>	<u>OPERATION</u>	<u>DIMENSION</u>	← max. →	↑ max. ↓	kg _{max.}
5	SG 2700		S - L		4 m	2 kg
15	SG 2710		S - L	6 m	4 m	2 kg
23	SG 2730		S - L		3 m	2 kg
31	SG 2750		S - L	6 m	4 m	2 kg

SG 2700



PRODUCT INFORMATION

- **Operation:** hand
- **Range:** S - L
- **Fitting:** ceiling, wall, recess
- **Colours:** white RAL 9016; special colours or anodised aluminum possible
- **Fabrics:** refer to Silent Gliss fabric collection

Features:

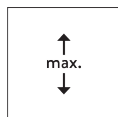
- 2-component (2C) roller technology
- Silent and smooth running
- Detachable fabric panels
- Aluminium carriers
- Free floating or connected panels

SYSTEM SPECIFICATIONS

A. SYSTEM DIMENSIONS



Panels free floating:
unlimited
Panels connected: 6 m



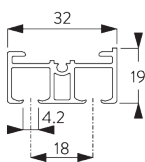
4 m



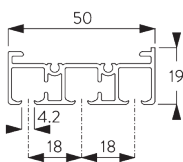
Max. 2 kg per m

B. PROFILE

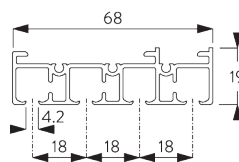
Profile information



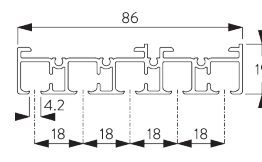
SG 10122
Profile 2-channel



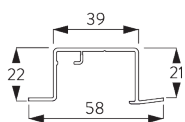
SG 10123
Profile 3-channel



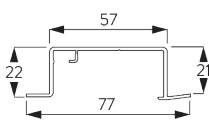
SG 10124
Profile 4-channel



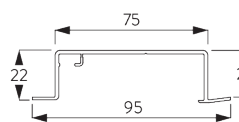
SG 10125
Profile 5-channel



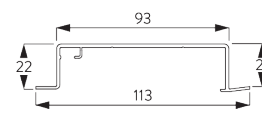
SG 10172
Recess profile 2-channel



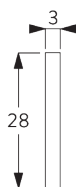
SG 10173
Recess profile 3-channel



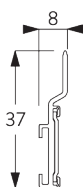
SG 10174
Recess profile 4-channel



SG 10175
Recess profile 5-channel

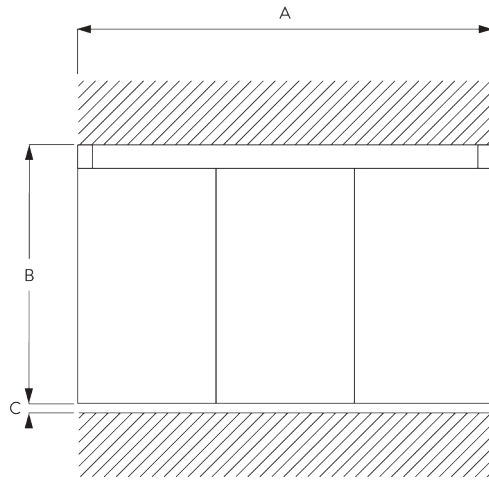


SG 2006
Bottom bar 28x3 mm



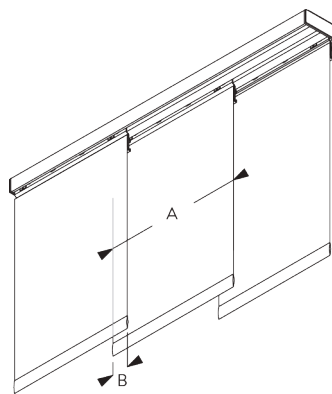
SG 10230
Carrier alu

**C. HOW TO
MEASURE**



A: System width
B: System height
C: Distance between floor and fabric

Dimensions of Panels



Free floating:

A: Recommended panel width: 500 - 1200

Connected:

A: Recommended panel width: 500 - 1200

B: Overlap: min. 50

**D. SPECIFICATION
TEXT**

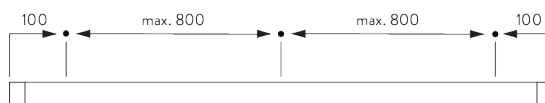
Silent Gliss SG 2700 Hand Operated Panel Glide System. Supplied made to measure and complete comprising profiles SG 10122 / SG 10123 / SG 10124 / SG 10125 as necessary with carriers SG 10230 with associated components and bottom weight SG 2006. Fabric panels stack right hand single / left hand single / pair / centre. Hand operated with panels unconnected / connected using draw rod SG 10430 / SG 10431 / SG 10432 / SG 10433 / SG 10434. Ceiling fixed using clamps SG 3003 / SG 3004 or brackets SG 10136 / SG 10137. Wall fix with Smart Fix brackets SG 11200-11204 / Square Smart Fix brackets SG 11210-11214 / Universal Smart Fix brackets SG 11154 -11156 with either SG 10136 or SG 10137 brackets. Recess fixed option with recess profile SG 10172 / SG 10173 / SG 10174 / SG 10175. Fabric to be chosen from Silent Gliss fabric collection, Price Group 1 / 2 / 3 / 4.

FITTING

**A. FITTING
INFORMATION**

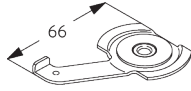
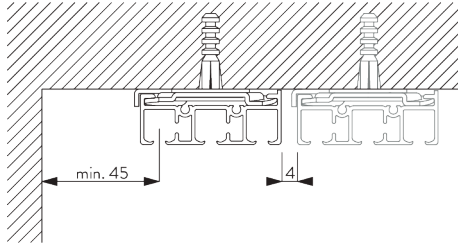
For detailed fitting information, visit the Silent Gliss website.

Fixing points

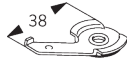


B. CEILING FITTING

Clamp SG 3003 / SG 3004



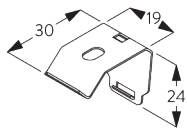
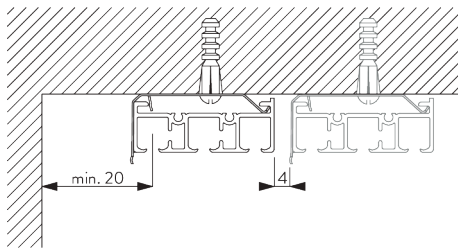
SG 3003
Clamp



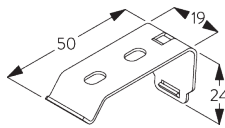
SG 3004
Clamp

Clamp	SG 10122	SG 10123	SG 10124	SG 10125
SG 3004	X			
SG 3003		X	X	X

Bracket SG 10136 / SG 10137



SG 10136
Bracket

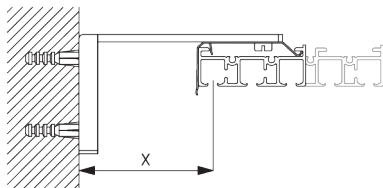


SG 10137
Bracket

Bracket	SG 10122	SG 10123	SG 10124	SG 10125
SG 10136	X			
SG 10137		X	X	X

C. WALL FITTING

Smart Fix



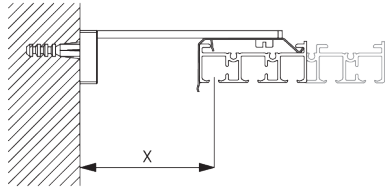
Smart Fix SG 11200 - SG 11204:

Bracket SG 10136 for 2 channel profile.

Bracket SG 10137 for more than 2 channel profiles.

Screw SG 10395 (M4x6) needed.

Smart Fix	X mm (SG 10122)	X mm (SG 10123)	X mm (SG 10124)	X mm (SG 10125)
SG 11200 / SG 11210	43	24	24	24
SG 11201 / SG 11211	63	44	44	44
SG 11202 / SG 11212	83	64	64	64
SG 11203 / SG 11213	103	84	84	84
SG 11204 / SG 11214	133	114	114	114
SG 11154	93-121	74-102	74-102	74-102
SG 11155	123-151	104-132	104-132	104-132
SG 11156	172-201	154-182	154-182	154-182

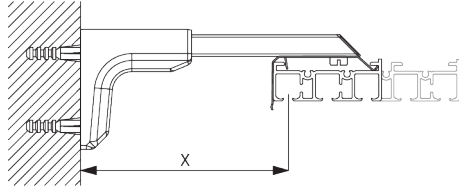


Square Smart Fix SG 11210 - SG 11214:

Bracket SG 10136 for 2 channel profile.

Bracket SG 10137 for more than 2 channel profiles.

Screw SG 10395 (M4x6) needed.

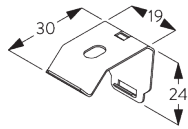


Universal Smart Fix SG 11154 - SG 11156:

Bracket SG 10136 for 2 channel profile.

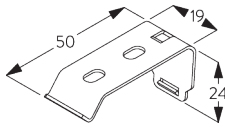
Bracket SG 10137 for more than 2 channel profiles.

Screw SG 10492 (M4x8) needed.



SG 10136

Bracket



SG 10137

Bracket



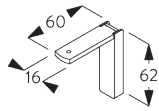
SG 10395

Pan head screw M4x6



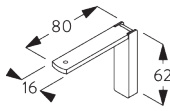
SG 10492

Pan head screw M4x8



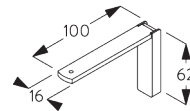
SG 11200

Smart Fix 60 mm



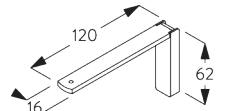
SG 11201

Smart Fix 80 mm



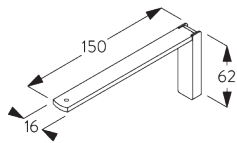
SG 11202

Smart Fix 100 mm



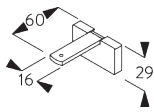
SG 11203

Smart Fix 120 mm



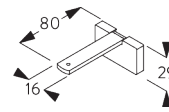
SG 11204

Smart Fix 150 mm



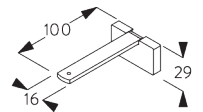
SG 11210

Square Smart Fix 60 mm



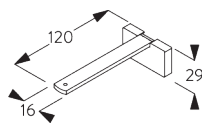
SG 11211

Square Smart Fix 80 mm



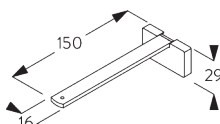
SG 11212

Square Smart Fix 100 mm



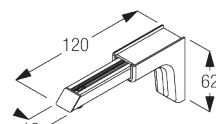
SG 11213

Square Smart Fix 120 mm



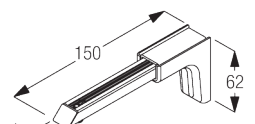
SG 11214

Square Smart Fix 150 mm



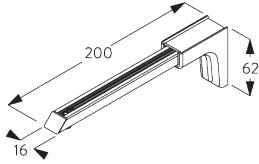
SG 11154

Universal Smart Fix 120 mm



SG 11155

Universal Smart Fix 150 mm

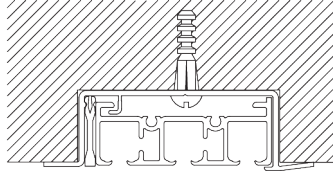


SG 11156

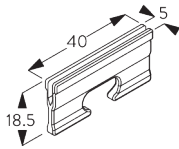
Universal Smart Fix 200 mm

D. RECESS FITTING

**Recess profiles
SG 10172 - SG 10175**

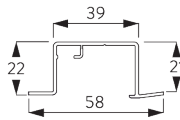


One wedge SG 10157 per fixing point.
For detailed recess fitting, visit the Silent Gliss website.



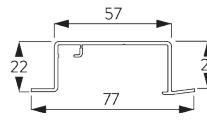
SG 10157

Wedge



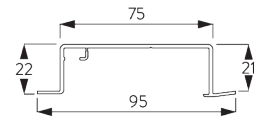
SG 10172

Recess profile 2-channel



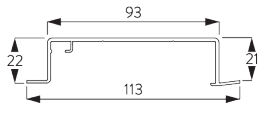
SG 10173

Recess profile 3-channel



SG 10174

Recess profile 4-channel

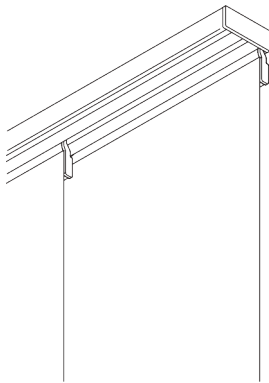


SG 10175

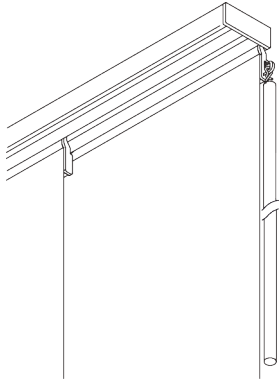
Recess profile 5-channel

SYSTEM OPTIONS

A. OPERATION



Free floating (unconnected panels)



**B. PANEL STACKING
(CONNECTED)**



Single stack
Note: dot = fixed panel


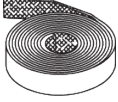
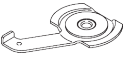

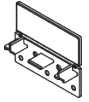

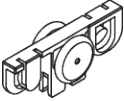



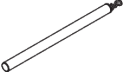


Pair stack
Note: dot = fixed panel


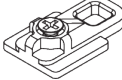

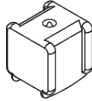

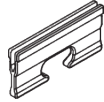
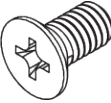
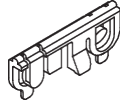

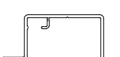

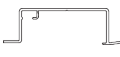




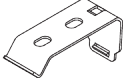
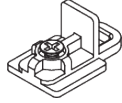
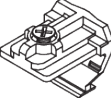

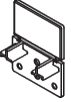
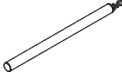
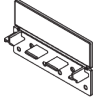
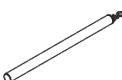
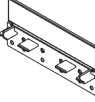
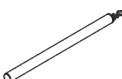
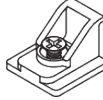
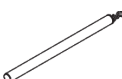
Other variations are possible.

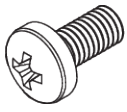
PARTS

A. STANDARD PARTS

	SG 2006 Bottom bar 28x3 mm
	SG 2539 Tape
	SG 3003 Clamp
	SG 10123 Profile 3-channel
	SG 10143 Cover
	SG 10159 Countersunk head screw 3.5x13
	SG 10200 2C roller
	SG 10230 Carrier alu
	SG 10252 End cover left
	SG 10253 End cover right
	SG 10432 Draw rod 100 cm

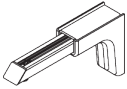
B. OPTIONAL PARTS

	SG 3004 Clamp		SG 10148 Eyelet for draw rod
	SG 3008 Connection bridge		SG 10156 End stop
	SG 6024 Connection bridge		SG 10157 Wedge
	SG 10074 Countersunk head screw M4x8		SG 10158 Click glider
	SG 10122 Profile 2-channel		SG 10172 Recess profile 2-channel
	SG 10124 Profile 4-channel		SG 10173 Recess profile 3-channel
	SG 10125 Profile 5-channel		SG 10174 Recess profile 4-channel
	SG 10136 Bracket		SG 10175 Recess profile 5-channel
	SG 10137 Bracket		SG 10340 Eyelet for draw rod
	SG 10140 Angle		SG 10395 Pan head screw M4x6
	SG 10142 End cover		SG 10430 Draw rod 50 cm
	SG 10144 End cover		SG 10431 Draw rod 75 cm
	SG 10145 End cover		SG 10433 Draw rod 125 cm
	SG 10146 Angle		SG 10434 Draw rod 150 cm



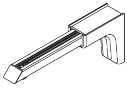
SG 10492

Pan head screw M4x8



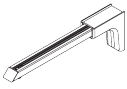
SG 11154

Universal Smart Fix 120 mm



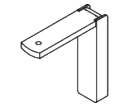
SG 11155

Universal Smart Fix 150 mm



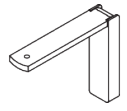
SG 11156

Universal Smart Fix 200 mm



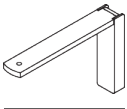
SG 11200

Smart Fix 60 mm



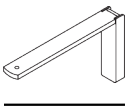
SG 11201

Smart Fix 80 mm



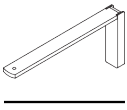
SG 11202

Smart Fix 100 mm



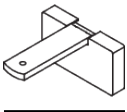
SG 11203

Smart Fix 120 mm



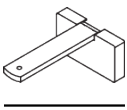
SG 11204

Smart Fix 150 mm



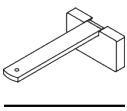
SG 11210

Square Smart Fix 60 mm



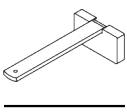
SG 11211

Square Smart Fix 80 mm



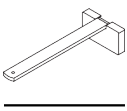
SG 11212

Square Smart Fix 100 mm



SG 11213

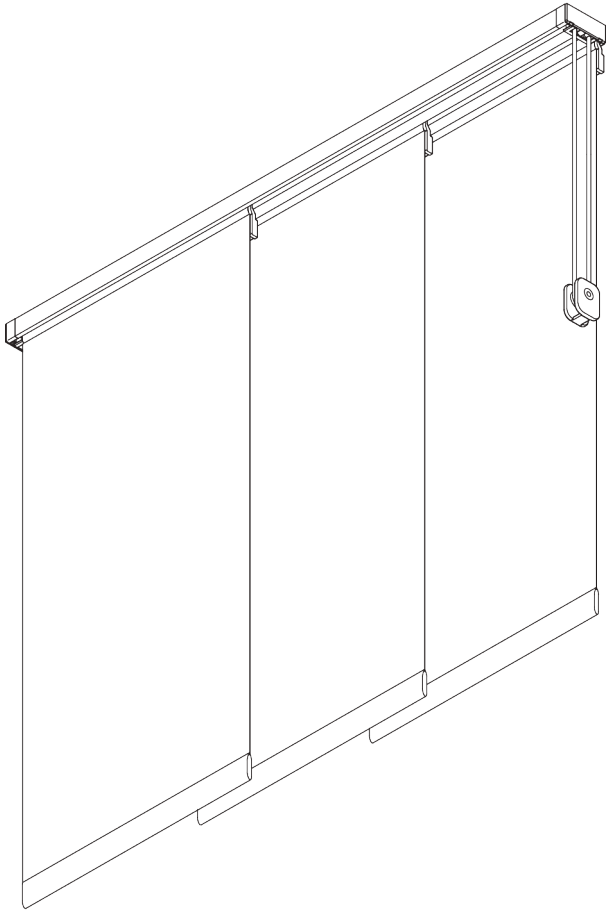
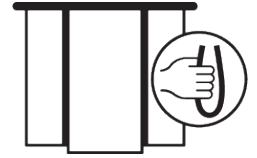
Square Smart Fix 120 mm



SG 11214

Square Smart Fix 150 mm

SG 2710



PRODUCT INFORMATION

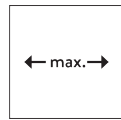
- **Operation:** cord
- **Range:** S - L
- **Fitting:** ceiling, wall, recess
- **Colours:** white RAL 9016; special colours or anodised aluminum possible
- **Fabrics:** refer to Silent Gliss fabric collection

Features:

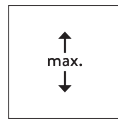
- 2-component (2C) roller technology
- Silent and smooth running
- Detachable fabric panels
- Aluminium carriers

SYSTEM SPECIFICATIONS

A. SYSTEM DIMENSIONS



6 m



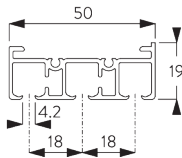
4 m



max. 2 kg per m

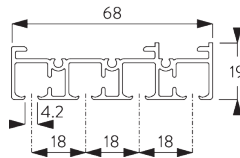
B. PROFILE

Profile information



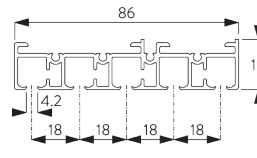
SG 10123

Profile 3-channel



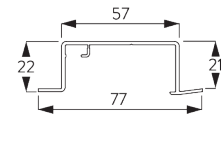
SG 10124

Profile 4-channel



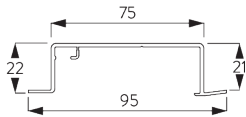
SG 10125

Profile 5-channel



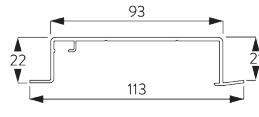
SG 10173

Recess profile 3-channel



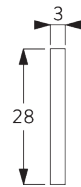
SG 10174

Recess profile 4-channel



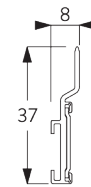
SG 10175

Recess profile 5-channel



SG 2006

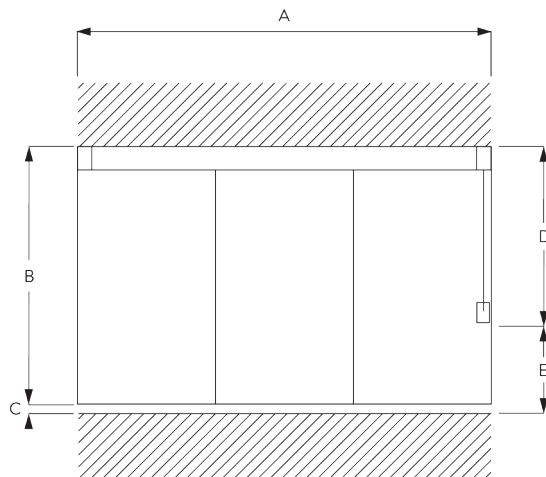
Bottom bar 28x3 mm



SG 10230

Carrier alu

C. HOW TO MEASURE



A: System width

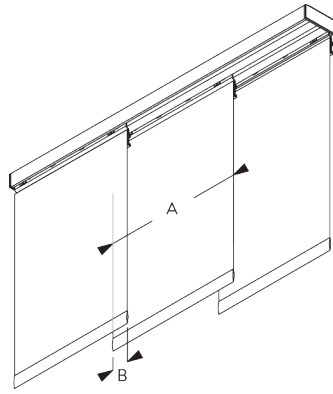
B: System height

C: Distance between floor and fabric

D: Cord height

E: Safety Retainer SG 10731 min. 150 cm above floor

Dimensions of Panels



A: Recommended panel width: 500 - 1200

B: Overlap: min. 50

D. SPECIFICATION

TEXT

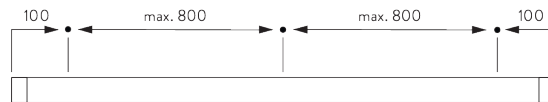
Silent Gliss SG 2710 Cord Operated Panel Glide System. Supplied made to measure and complete comprising profiles SG 10123 / SG 10124 / SG 10125 as necessary with carriers SG 10230 with associated components and bottom weight SG 2006. Fabric panels stack right hand single / left hand single / pair / centre. Cord operated. Ceiling fixed using clamps SG 3003 / SG 3004 or brackets SG 10136 / SG 10137. Wall fix with Smart Fix brackets SG 11200-11204 / Square Smart Fix brackets SG 11210-11214 / Universal Smart Fix brackets SG 11154 - 11156 with SG 10137 brackets. Recess fixed option with recess profile SG 10173 / SG 10174 / SG 10175. Compliant to Child Safety legislation EN 13120 when used in conjunction with Cord Retainer SG 10400. Fabric to be chosen from Silent Gliss fabric collection, Price Group 1 / 2 / 3 / 4.

FITTING

A. FITTING INFORMATION

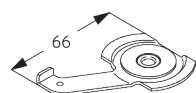
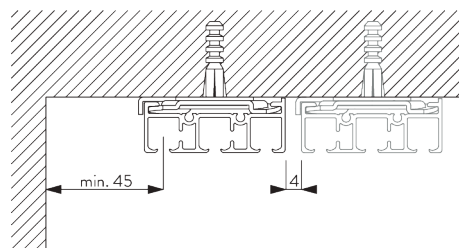
For detailed fitting information, visit the Silent Gliss website.

Fixing points



B. CEILING FITTING

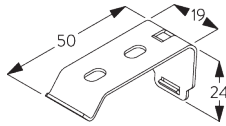
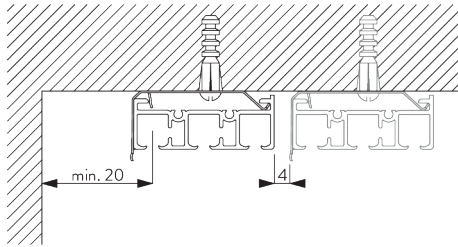
Clamp SG 3003



SG 3003

Clamp

Bracket SG 10137



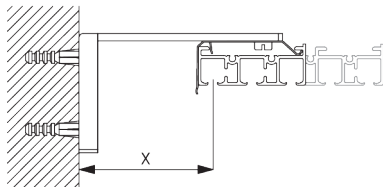
SG 10137

Bracket

Bracket	SG 10123	SG 10124
SG 10137	X	X

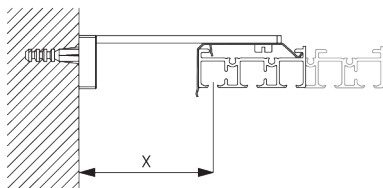
C. WALL FITTING

Smart Fix



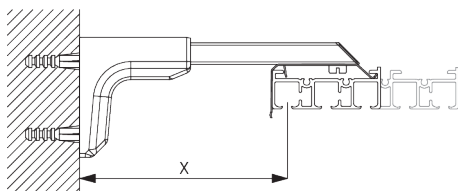
Smart Fix SG 11200 - SG 11204:

Screw SG 10395 (M4x6) needed.



Square Smart Fix SG 11210 - SG 11214:

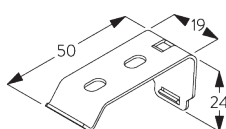
Screw SG 10395 (M4x6) needed.



Universal Smart Fix 11154 - SG 11156:

Screw SG 10492 (M4x8) needed.

Smart Fix	X mm (SG 10123)	X mm (SG 10124)	X mm (SG 10125)
SG 11200 / SG 11210	24	24	24
SG 11201 / SG 11211	44	44	44
SG 11202 / SG 11212	64	64	64
SG 11203 / SG 11213	84	84	84
SG 11204 / SG 11214	114	114	114
SG 11154	74-102	74-102	74-102
SG 11155	104-132	104-132	104-132
SG 11156	154-182	154-182	154-182



SG 10137

Bracket



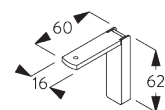
SG 10395

Pan head screw M4x6



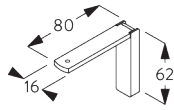
SG 10492

Pan head screw M4x8

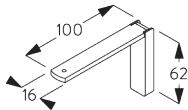


SG 11200

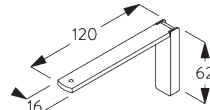
Smart Fix 60 mm



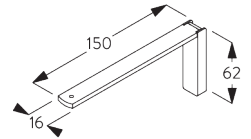
SG 11201
Smart Fix 80 mm



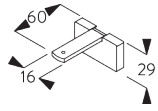
SG 11202
Smart Fix 100 mm



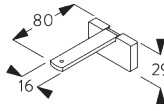
SG 11203
Smart Fix 120 mm



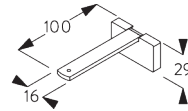
SG 11204
Smart Fix 150 mm



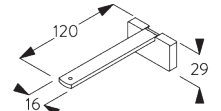
SG 11210
Square Smart Fix 60 mm



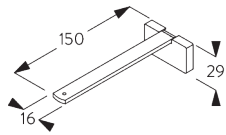
SG 11211
Square Smart Fix 80 mm



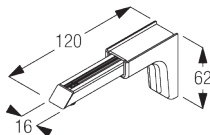
SG 11212
Square Smart Fix 100 mm



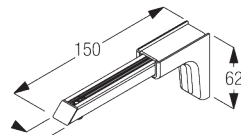
SG 11213
Square Smart Fix 120 mm



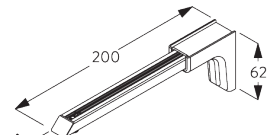
SG 11214
Square Smart Fix 150 mm



SG 11154
Universal Smart Fix 120 mm



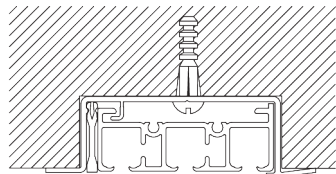
SG 11155
Universal Smart Fix 150 mm



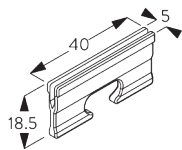
SG 11156
Universal Smart Fix 200 mm

D. RECESS FITTING

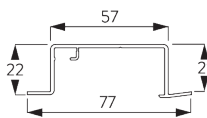
Recess profiles SG 10173 - SG 10175



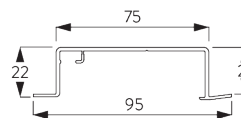
One wedge SG 10157 per fixing point.
For detailed recess fitting, visit the Silent Gliss website.



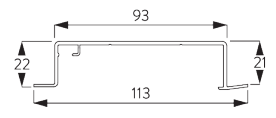
SG 10157
Wedge



SG 10173
Recess profile 3-channel



SG 10174
Recess profile 4-channel



SG 10175
Recess profile 5-channel

SYSTEM OPTIONS

A. PANEL STACKING



Single stack
Note: dot = fixed panel


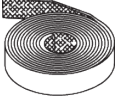



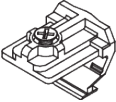
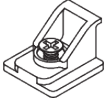
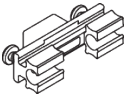
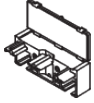
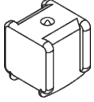

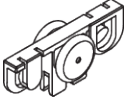




Pair stack
Note: dot = fixed panel

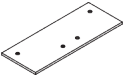
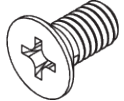


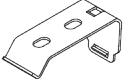
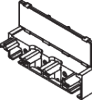
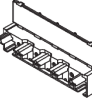
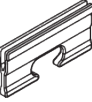




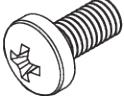
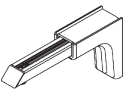
Other variations are possible.

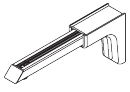
PARTS

A. STANDARD PARTS

	SG 2006 Bottom bar 28x3 mm
	SG 2539 Tape
	SG 3003 Clamp
	SG 3090 Cord ø 3.5 mm
	SG 10123 Profile 3-channel
	SG 10140 Angle
	SG 10146 Angle
	SG 10150 Pilot runner
	SG 10153 Cord guide
	SG 10156 End stop
	SG 10159 Countersunk head screw 3.5x13
	SG 10200 2C roller
	SG 10230 Carrier alu
	SG 10252 End cover left

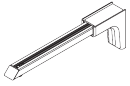
B. OPTIONAL PARTS

	SG 6024 Connection bridge
	SG 10074 Countersunk head screw M4x8
	SG 10124 Profile 4-channel
	SG 10125 Profile 5-channel
	SG 10137 Bracket
	SG 10154 Cord guide
	SG 10155 Cord guide
	SG 10157 Wedge
	SG 10173 Recess profile 3-channel
	SG 10174 Recess profile 4-channel
	SG 10175 Recess profile 5-channel
	SG 10395 Pan head screw M4x6
	SG 10492 Pan head screw M4x8
	SG 11154 Universal Smart Fix 120 mm



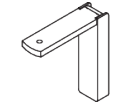
SG 11155

Universal Smart Fix 150 mm



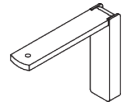
SG 11156

Universal Smart Fix 200 mm



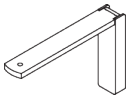
SG 11200

Smart Fix 60 mm



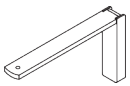
SG 11201

Smart Fix 80 mm



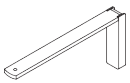
SG 11202

Smart Fix 100 mm



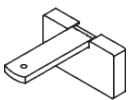
SG 11203

Smart Fix 120 mm



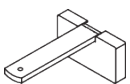
SG 11204

Smart Fix 150 mm



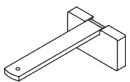
SG 11210

Square Smart Fix 60 mm



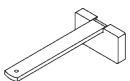
SG 11211

Square Smart Fix 80 mm



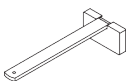
SG 11212

Square Smart Fix 100 mm



SG 11213

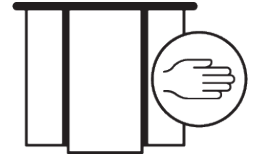
Square Smart Fix 120 mm



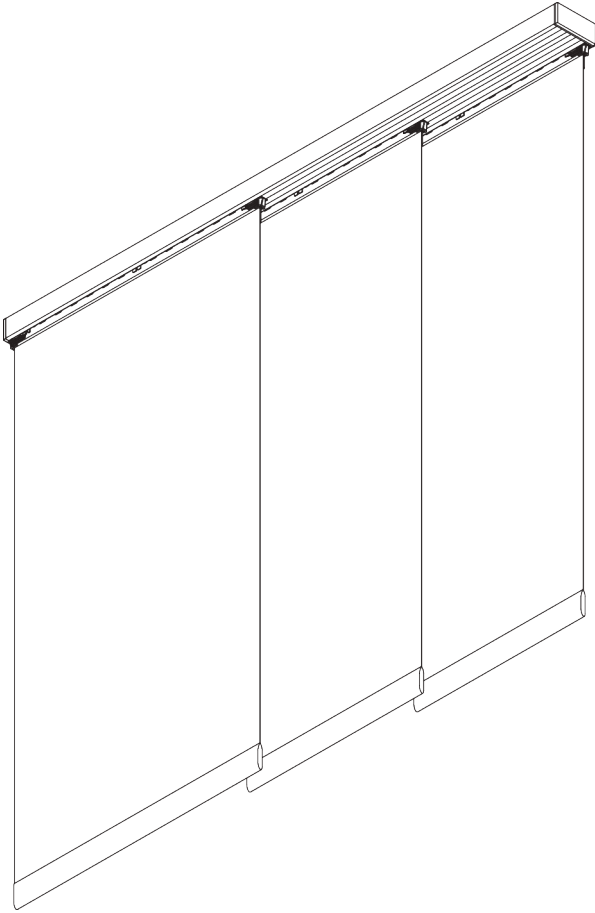
SG 11214

Square Smart Fix 150 mm

SG 2730



FLEX



PRODUCT INFORMATION

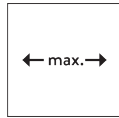
- **Operation:** hand
- **Range:** S - L
- **Fitting:** ceiling, wall
- **Colours:** white RAL 9016; special colours or anodised aluminum possible
- **Fabrics:** refer to Silent Gliss fabric collection

Features:

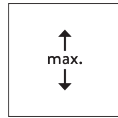
- 2-component (2C) roller technology
- Silent and smooth running
- Free floating or connected panels
- Bendable

SYSTEM SPECIFICATIONS

A. SYSTEM DIMENSIONS



Panels free floating:
unlimited
Panels connected: 6 m



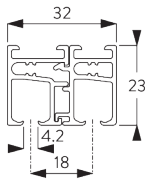
3 m



Max. 2 kg per m

B. PROFILE

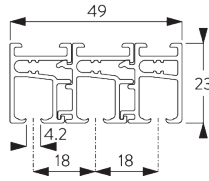
Profile and bending information



SG 10132

Profile 2-channel

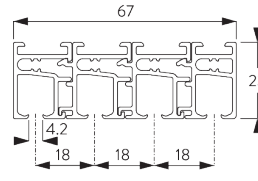
Radius:
✓ 15 cm, >25 cm



SG 10133

Profile 3-channel

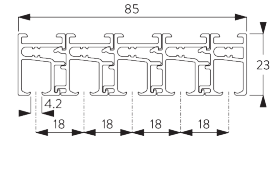
Radius:
✓ 15 cm, >25 cm



SG 10134

Profile 4-channel

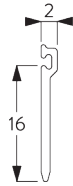
Radius:
✓ 15 cm, >25 cm



SG 10135

Profile 5-channel

Radius:
✓ 15 cm, >25 cm



SG 10179

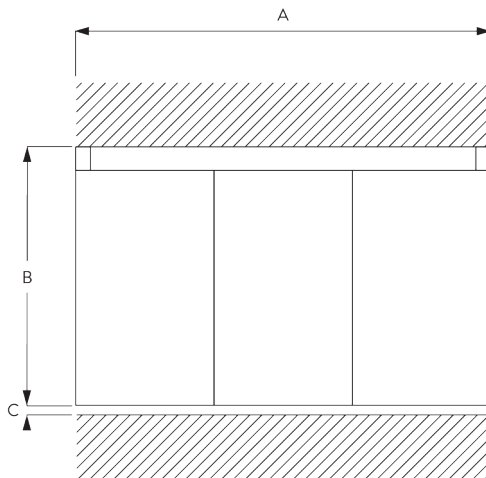
Profile



SG 10180

Carrier flexible

C. HOW TO MEASURE

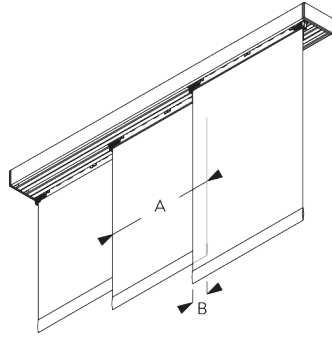


A: System width

B: System height

C: Distance between floor and fabric

Dimensions of Panels



Free floating:

A: Recommended panel width: 500 - 1200

Connected:

A: Recommended panel width: 500 - 1200

B: Overlap: min. 50

D. SPECIFICATION TEXT

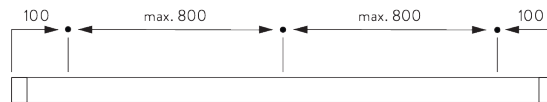
Silent Gliss SG 2730 Flex Panel Glide System. Curved panel glide system supplied made to measure and complete comprising profiles SG 10132 / SG 10133 / SG 10134 / SSG 10135 as necessary with carrier SG 10180 with associated components and flexible lead bottom weight SG 10233. Fabric panels stack right hand single / left hand single / pair / centre. Hand operated with panels unconnected / connected using draw rod SG 10430 / SG 10431 / SG 10432 / SG 10433 / SG 10434. Ceiling fix direct with suitable screw. Wall fix with Smart Fix brackets SG 11206-11208 / Square Smart Fix brackets SG 11216 - 11218 with slot nut SG 10160. Fabric to be chosen from Silent Gliss fabric collection, Price Group 1 / 2 / 3.

FITTING

A. FITTING INFORMATION

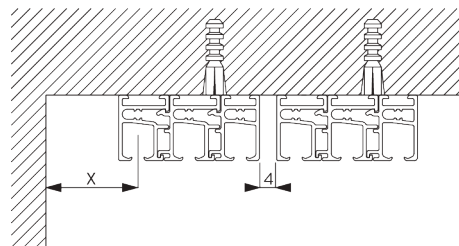
For detailed fitting information, visit the Silent Gliss website.

Fixing points



B. CEILING FITTING

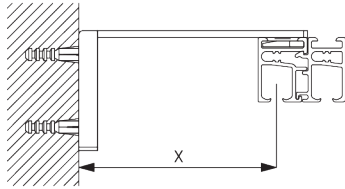
Direct fitting



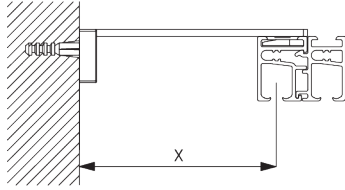
X = depending on room conditions

C. WALL FITTING

Smart Fix

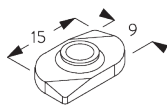


Smart Fix with slot SG 11206 - SG 11208:
Screw SG 10395 (M4x6) needed.



Square Smart Fix with slot SG 11216 - SG 11218:
Screw SG 10395 (M4x6) needed.

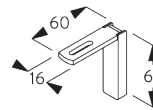
Smart Fix	X mm (SG 10132)	X mm (SG 10133)	X mm (SG 10134)	X mm (SG 10135)
SG 11206 / SG 11216	50	32	-	-
SG 11207 / SG 11217	70	52	34	-
SG 11208 / SG 11218	90	72	44	on request



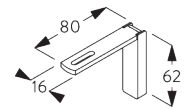
SG 10160
Slot nut



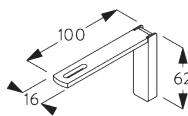
SG 10395
Pan head screw M4x6



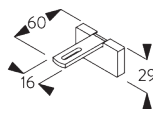
SG 11206
Smart Fix with slot 60 mm



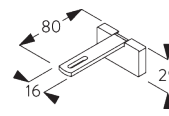
SG 11207
Smart Fix with slot 80 mm



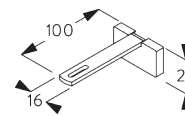
SG 11208
Smart Fix with slot 100 mm



SG 11216
Square Smart Fix with slot 60 mm



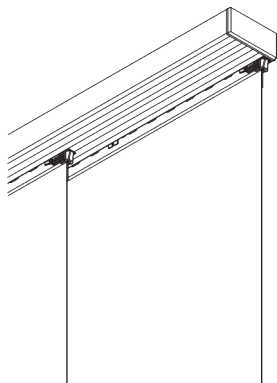
SG 11217
Square Smart Fix with slot 80 mm



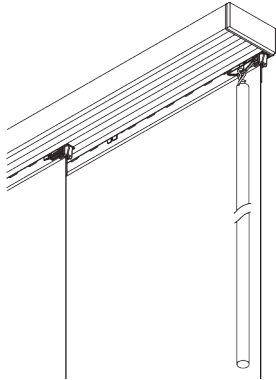
SG 11218
Square Smart Fix with slot 100 mm

SYSTEM OPTIONS

A. OPERATION



Free floating (unconnected panels)



**B. PANEL STACKING
(CONNECTED)**



Single stack
Note: dot = fixed panel

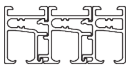


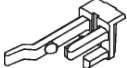

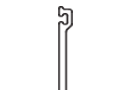

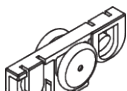


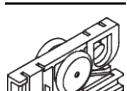



Pair stack
Other variations are possible. Same splitting for curved profiles.




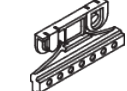
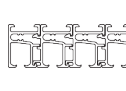



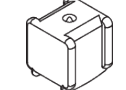










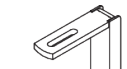
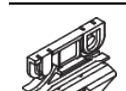
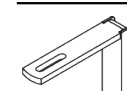


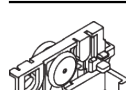
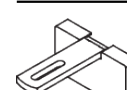
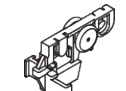
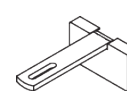
Note: dot = fixed panel

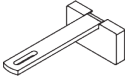
PARTS

A. STANDARD PARTS

	SG 10133 Profile 3-channel
	SG 10159 Countersunk head screw 3.5x13
	SG 10163 End cover
	SG 10167 Clip left
	SG 10168 Clip right
	SG 10179 Profile
	SG 10180 Carrier flexible
	SG 10200 2C roller
	SG 10233 Lead weight 100 gr/m
	SG 10234 Fabric weight glass
	SG 10237 Clip holder
	SG 10248 Screw Pozzi 4.5x70 mm SPAX

B. OPTIONAL PARTS

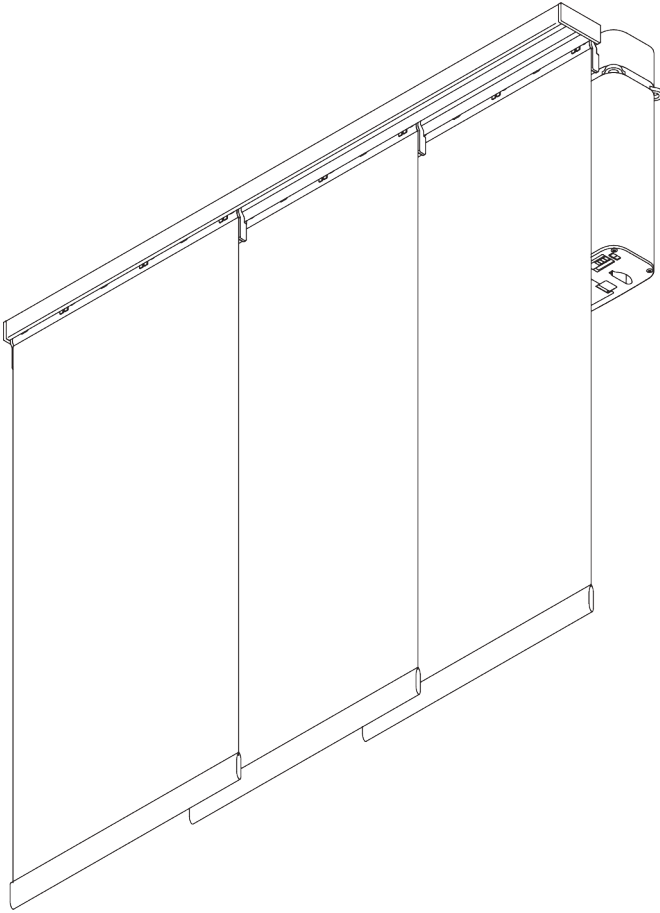
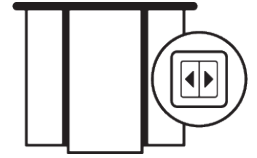
	SG 10076 Fabric weight		SG 10243 Angle
	SG 10132 Profile 2-channel		SG 10244 Slider
	SG 10134 Profile 4-channel		SG 10281 Hexagon socket head cap screw M4x6
	SG 10135 Profile 5-channel		SG 10395 Pan head screw M4x6
	SG 10156 End stop		SG 10430 Draw rod 50 cm
	SG 10160 Slot nut		SG 10431 Draw rod 75 cm
	SG 10162 End cover		SG 10432 Draw rod 100 cm
	SG 10164 End cover		SG 10433 Draw rod 125 cm
	SG 10165 End cover		SG 10434 Draw rod 150 cm
	SG 10177 Connection bridge		SG 11206 Smart Fix with slot 60 mm
	SG 10196 Eyelet for draw rod		SG 11207 Smart Fix with slot 80 mm
	SG 10235 Sticker for screw head		SG 11208 Smart Fix with slot 100 mm
	SG 10239 Angle left		SG 11216 Square Smart Fix with slot 60 mm
	SG 10241 Angle right		SG 11217 Square Smart Fix with slot 80 mm



SG 11218

Square Smart Fix with slot 100 mm

SG 2750



PRODUCT INFORMATION

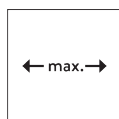
- **Operation:** motorised
- **Range:** S - L
- **Fitting:** ceiling
- **Colours:** white RAL 9016; special colours or anodised aluminum possible
- **Fabrics:** refer to Silent Gliss fabric collection

Features:

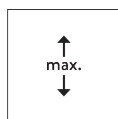
- 2-component (2C) roller technology
- Silent and smooth running
- Aluminium carriers
- Applicable with electric curtain track system SG 5600

SYSTEM SPECIFICATIONS

A. SYSTEM DIMENSIONS



6 m



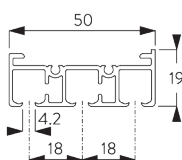
4 m



max. 2 kg per m

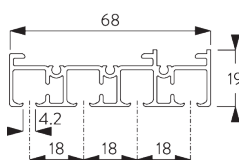
B. PROFILE

Profile information



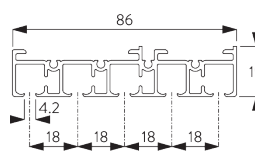
SG 10123

Profile 3-channel



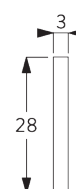
SG 10124

Profile 4-channel



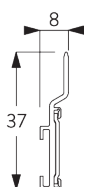
SG 10125

Profile 5-channel



SG 2006

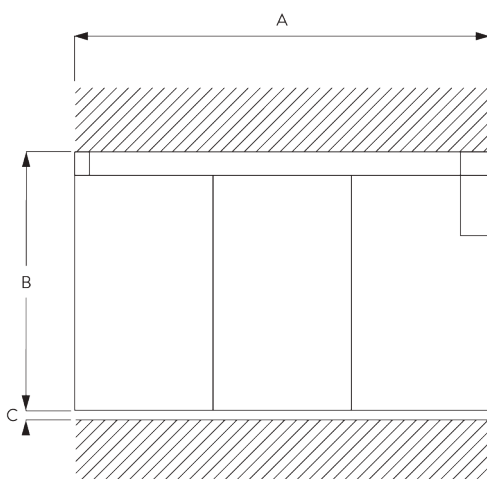
Bottom bar 28x3 mm



SG 10230

Carrier alu

C. HOW TO MEASURE

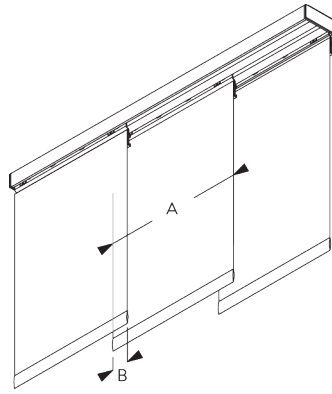


A: System width

B: System height

C: Distance between floor and fabric

Dimensions of Panels



A: Recommended panel width: 500 - 1200

B: Overlap: min. 50

D. SPECIFICATION

TEXT

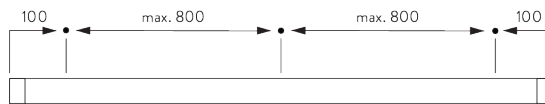
Silent Gliss SG 2750 Electrically Operated Panel Glide System. Supplied made to measure and complete comprising profiles SG 10123 / SG 10124 / SG 10125 as necessary with carriers SG 10230 with associated components and bottom weight SG 2006. Fabric panels stack right hand single / left hand single / pair / centre. Electrically operated (incorporating electric curtain track system SG 5600). Ceiling fixed using clamps SG 3003 / SG 3004. Fabric to be chosen from Silent Gliss fabric collection, Price Group 1 / 2 / 3 / 4.

FITTING

A. FITTING INFORMATION

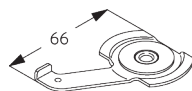
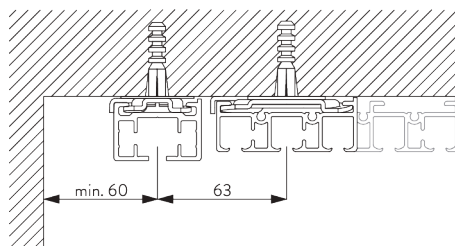
For detailed fitting information, visit the Silent Gliss website.

Fixing points

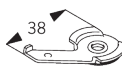


B. CEILING FITTING

With SG 5600



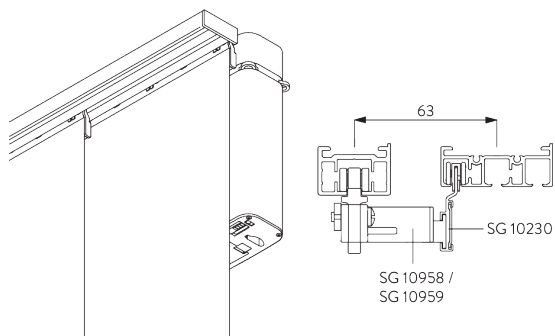
SG 3003
Clamp



SG 3004
Clamp

SYSTEM OPTIONS

A. MOTORISATION



Motorised with SG 5600

- Single stack systems: carrier SG 10958
- Pair stack systems: carriers SG 10958 / SG 10959

For further details refer to the electric curtain track catalogue.

B. PANEL STACKING



Single stack

Note: dot = fixed panel




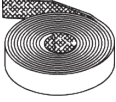


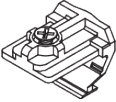
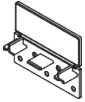
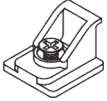
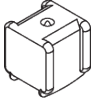

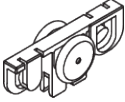



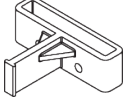
Pair stack

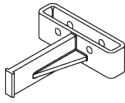
Note: dot = fixed panel

Other variations are possible.


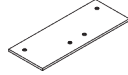

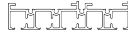
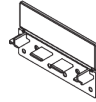
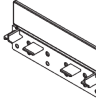
PARTS

A. STANDARD PARTS

	SG 2006 Bottom bar 28x3 mm
	SG 2539 Tape
	SG 3003 Clamp
	SG 10123 Profile 3-channel
	SG 10140 Angle
	SG 10143 Cover
	SG 10146 Angle
	SG 10156 End stop
	SG 10159 Countersunk head screw 3.5x13
	SG 10200 2C roller
	SG 10230 Carrier alu
	SG 10252 End cover left
	SG 10253 End cover right
	SG 10958 Panel carrier for electric track

	SG 10959 Panel carrier for electric track
---	---

B. OPTIONAL PARTS

	SG 2005 Bottom bar 40x5 mm
	SG 6024 Connection bridge
	SG 10124 Profile 4-channel
	SG 10125 Profile 5-channel
	SG 10144 End cover
	SG 10145 End cover

The Architects of Silence

Silent Gliss is the leading global supplier of premium interior window treatments. Since 1952 we have been tirelessly committed to the development of the world's smoothest, quietest systems using state of the art technology.

Driven by customer needs, Silent Gliss offers functional and durable products. Expert technical advice coupled with installation and support services complete the offer. Silent Gliss stands for innovative, sustainable, tailor made solutions, exceptional design and first-class quality.

Silent Gliss Ltd.

Pyramid Business Park
Poorhole Lane, Broadstairs
Kent CT10 2PT
United Kingdom
T +44 1843 863571
F +44 1843 864503
info@silentgliss.co.uk

Silent Gliss Global Ltd.

Pyramid Business Park
Poorhole Lane, Broadstairs
Kent CT10 2PT
United Kingdom
T +44 1843 874250
F +44 1843 864503
info@silentglissglobal.com

Silent Gliss Blinds Trading LLC

Office 1906
The H Hotel Complex
Trade Center First
Dubai
United Arab Emirates
T +971 4 7050318
info@silentgliss.ae

silentgliss.co.uk
silentglissglobal.com
silentgliss.ae