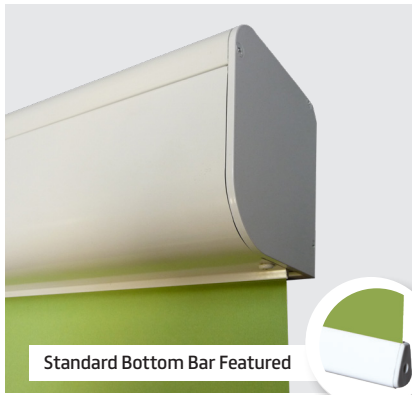


SKC22 Braked Spring

SK Cassetted Blinds



SKC22 Braked Spring

Features:

The SKC22 cassetted braked spring roller blind with premium quality spring and decelerator ensures smooth and quiet operation. Direct fix for top and face applications. The fabric is locked into a groove in the 32mm aluminium barrel, and features an aluminium Tear Drop bottom bar. A plastic cleat is used to hold the blind closed. Black or white hardware as standard.

Benefits:

An attractive metal-framed blind with the added appeal of slow-rise, or braked, technology. Generally used in dim-out applications with blackout fabric, or as an insect screen with mesh fabric, as it has no mid-point stopping positions. The braked spring and decelerator mechanism is enclosed within the barrel.

Options:

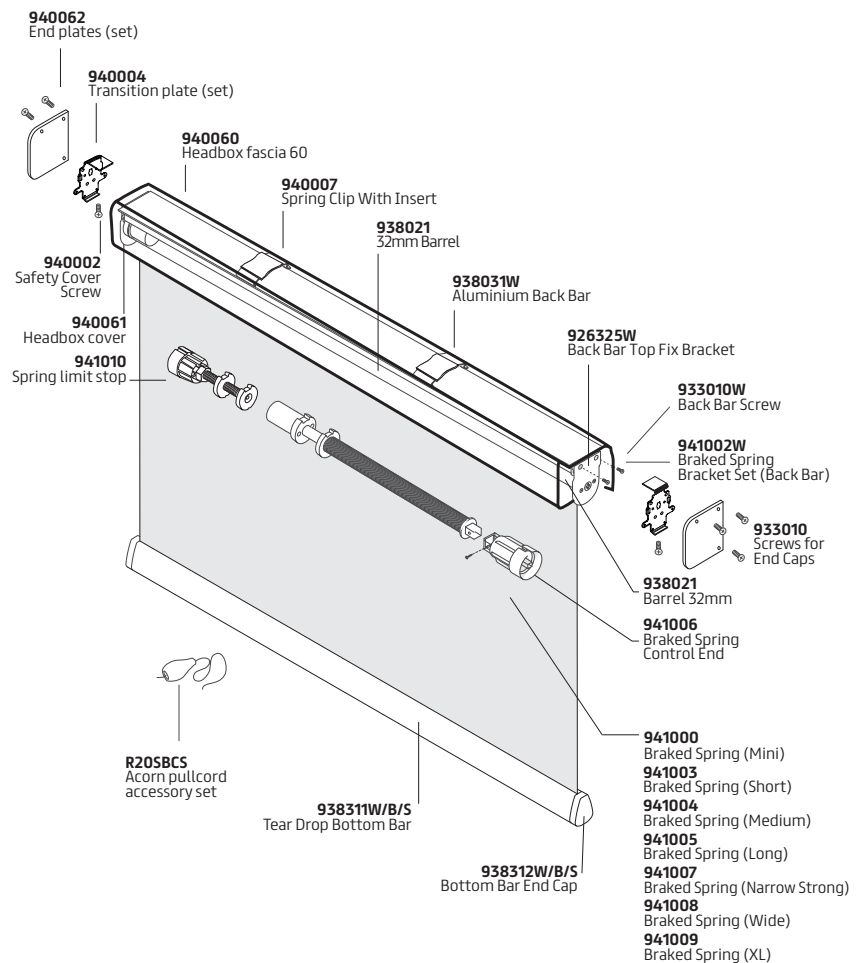
Black or white hardware available in any RAL colour; With side channels C42-60.

Specification:

SK C22-60 braked spring control cassetted blind. Flame retardant fabric from the SK range, locked into grooved 32mm aluminium barrel along with aluminium bottom bar as standard. Vandal resistant braked spring and spring end housed within black/white aluminium cassette.

Cassetted Blind Profile Dimension Guide

| Model | Cassette Size (HxD) | Barrel Size Ø | Side Channel Size (WxD) |
|----------|---------------------|---------------|-------------------------|
| SKC22-60 | 77x73mm | 32mm | n/a |



Find this product on NBS Source



This product range comes with a full Lifetime Warranty as standard.