

SK C24 Crank

SK Cassetted Blinds



sol
komfort
interiors



Standard Bottom Bar Featured

SK C24 Crank

Features:

The SK C24 crank control cassetted blind features a compact, robust 1:3 gear mechanism operated by a detachable crank handle. The cassette is designed for top or face fixing and accommodates 45, 53 or 70mm grooved aluminium barrels, depending on blind size and fabric weight. The fabric is locked into a groove in the barrel. It has an aluminium Tear Drop bottom bar and black or white hardware as standard.

Benefits:

Durability and simplicity make the SK C24 a good choice for a vast range of applications. With its powerful gear controls it will perform dependably in all kinds of contract applications. The geared crank handle and mechanism ensures smooth blind control and is safer for areas where cords are a threat. Fabric locked into the barrel and bottom bar and supported by sturdy supports.

Options:

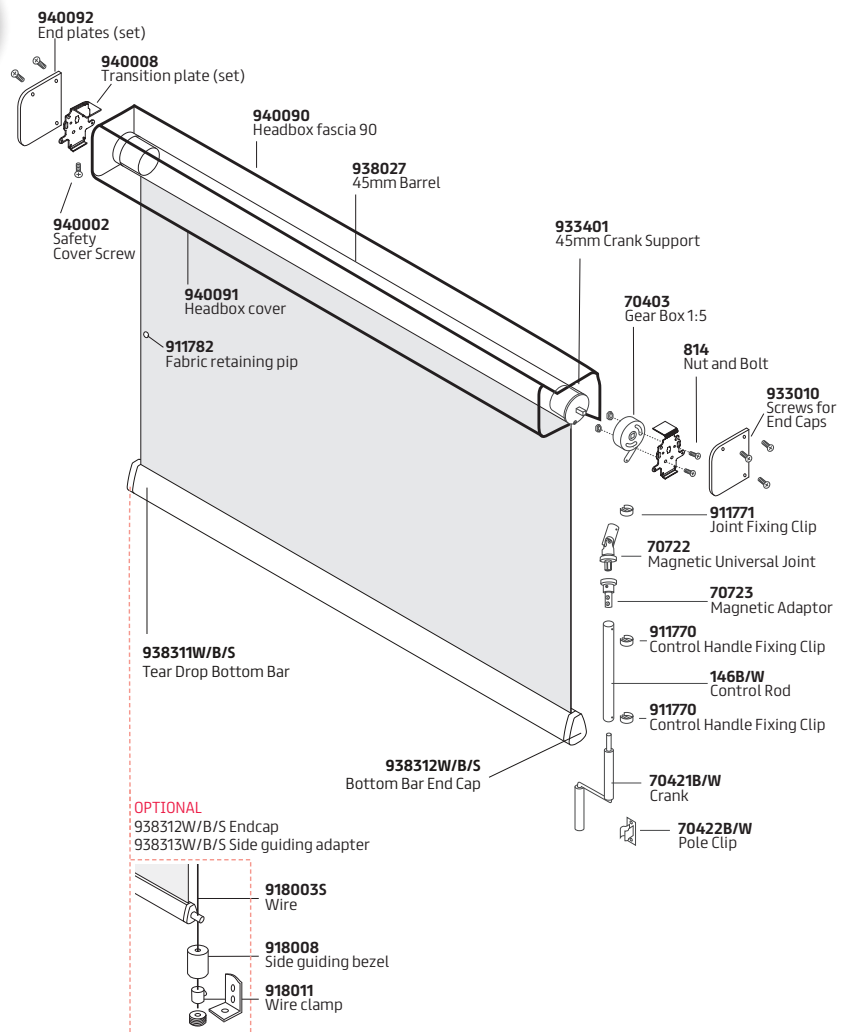
Black or white hardware; Fixed crank handle; With side channels C44-90/120. Wire side-guiding system; Available in any RAL colour.

Specification:

SK C24-90/120 crank control cassetted blind. Flame retardant fabric from the SK range, locked into grooved 45/53/70mm aluminium barrel along with aluminium bottom bar as standard. Robust vandal resistant 1:3½ crank mechanism and pin end housed within black/white aluminium cassette, supported by sturdy brackets.

Cassetted Blind Profile Dimension Guide

Model	Cassette Size (HxD)	Barrel Size Ø	Side Channel Size (WxD)
SK C24-90	105 x 95mm	45mm	n/a
SK C24-120	140 x 120mm	53 / 70mm	n/a



Find this product on NBS Source



This product range comes with a full Lifetime Warranty as standard.