

# VL64 Crank

## 4, Vertical Blinds



Sol  
Komfort  
interiors



## Vertical Blind Specification Guide

Model	Min Width	Max Width	Max Drop	Max M <sup>2</sup>
4, VL64 Crank control	300	4550	3200	14.5

Based on fabric weight of 220g/m<sup>2</sup>, e.g. Thames. Use of heavier fabrics may require appropriate reductions.

## 4, VL64 Crank

### Features:

The 4, VL64 vertical blind has a 45 x 36.5mm white aluminium head-rail with top-fix brackets and wheeled carrier trucks. The constant transport of the louvres is guaranteed by a precise aluminium spindle shaft. Fixed crank operation with built in slip clutch for both louvre tilt and draw. Louvres are supplied in 127mm, and 89mm widths with weights and white stabilising chain.

### Benefits:

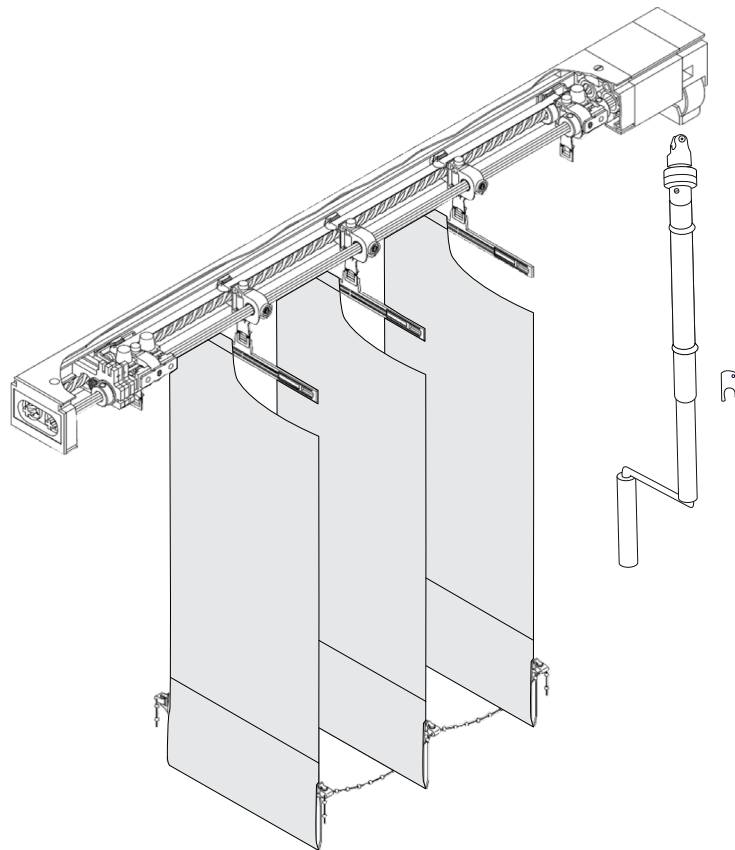
The 4, VL64 offers the ease of mono control - a comfortable gear change to ensure the continuous movement, automatically switching from tilting to traversing. By turning the crank handle the louvres tilt and then traverse. The strong head-rail and wheeled carrier trucks are designed to withstand the rigours of intensive use, whilst the ingenious mechanism allows a precise control of light transmission. A long-lasting blind, and delightfully simple to operate.

### Options:

4, VL64S sloping head-rail versions; Face fix brackets; Extension brackets; Enclosed weights; Detachable crank.

### Specification:

The 4, VL64 mono vertical blind with crank operation. 45 x 36.5mm white powder-coated aluminium head-rail with mono control by crank handle. 127/89mm louvres in flame-retardant fabric from the 4, range, complete with louvre weights and white stabilising chain.



This product range comes with a full Lifetime Warranty as standard.