

SKC75 Electric Blackout

SK Blackout Blinds



SK C75 Electric Blackout

Features:

The SK C75 electric blackout unit features a 230v AC motor as standard. All hardware in black powder-coated aluminium, with moulded black plastic fittings, for face or recess fixing and encloses 53mm grooved aluminium barrel, controlled by 230v AC motor. Blackout fabric, with heavy-duty bottom bar, is locked into a groove in the barrel and runs in 75mm side channels. Slim bottom channel for positive attachment to side channels. Light-transfer baffles within side and bottom channels, and side channels and head-box fitted with pileseal light sealing. The motor is controlled by a switch/transformer which may be surface or flush mounted (not supplied as standard).

Benefits:

The SK C75 is a premium 100% blackout unit with the luxury of fingertip electrical control. Its quiet and reliable motor is housed within the barrel and supported by sturdy, aluminium cassette system. With the RF or infrared remote, and/or group control option, almost any control configuration can be achieved.

Options:

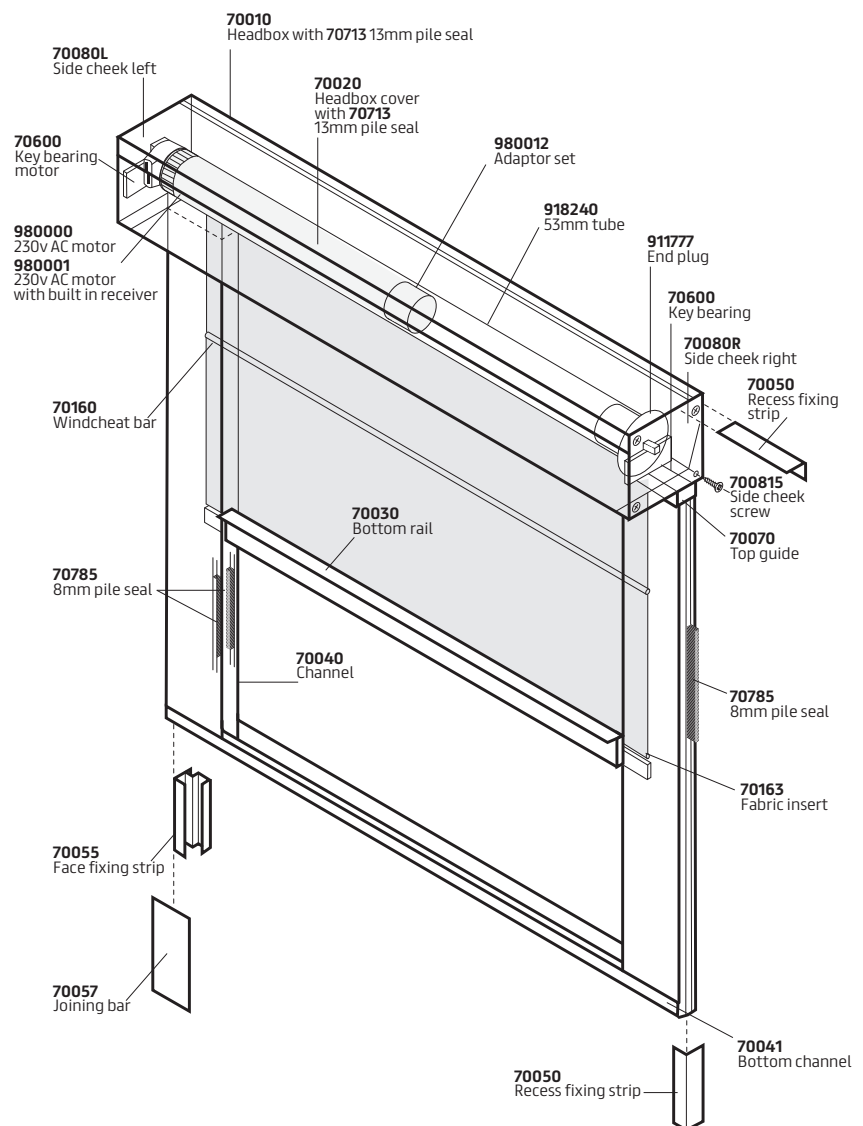
No bottom channel, with bottom bar running down to sill; Remote and/or group control systems; Available in any RAL colour.

Specification:

The SK C75 electric 100% blackout unit with 230v AC motor. Flame retardant blackout fabric from the SK range, locked into grooved 53mm aluminium barrel along with aluminium bottom rail as standard. 230v AC motor housed within black/white powder-coated aluminium head-box cassette with side and bottom channels and bottom bar.

Blackout Unit Profile Dimension Guide

Model	Cassette Size (HxD)	Barrel Size Ø	Side Channel Size (WxD)	Side cheek
SK C75	100 x 100mm	53mm	75 x 20mm	Metal



This product range comes with a full Lifetime Warranty as standard.