

SK R57 Overhead Electric

SK Roller Blinds



SKR57 Overhead Electric

Features:

The SKR57 overhead roller blind system with 230v AC motor. White aluminium brackets for top or face fixing with 50mm smooth aluminium barrel. The motor is controlled by a switch which may be surface or flush mounted (not supplied). Fabric is mounted onto a sprung 57mm aluminium barrel whilst at the other end it is fitted to a white Tear Drop aluminium bottom bar, attached to two draw tapes. These tapes are attached, between flanged guides, to the 50mm drive barrel, operated by a 230v AC electric motor.

Benefits:

The SKR57 roller blinds are the ultimate in choice for the shading requirements for sloping or horizontal roof windows. With heavy duty componentry and a powerful spring action to the fabric roller, these blinds may be confidently specified for awkward or inaccessible locations. The R57 can be supplied with a number of remote or group control options including Radio Control and home automation systems.

Options:

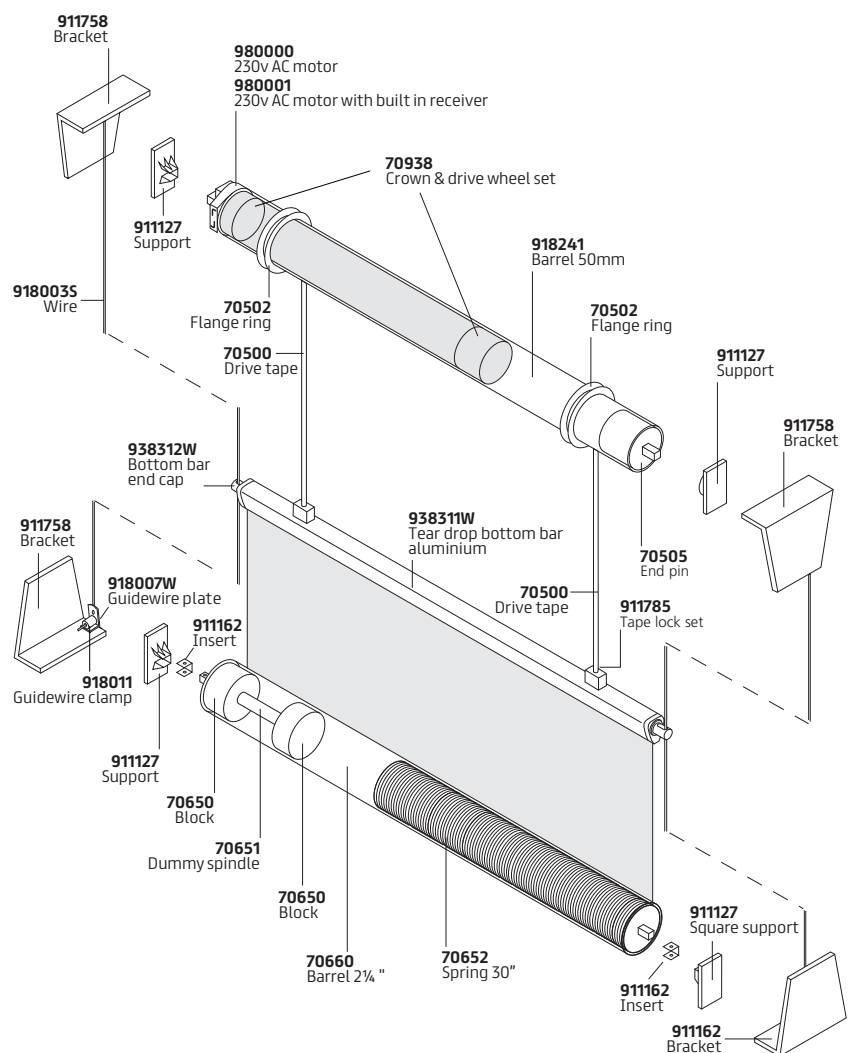
Tear Drop aluminium bottom bar in black or silver; Remote and/or group control systems.

Specification:

SK R57 electric operation overhead roller blind with 230v AC motor. Flame retardant fabric from the SK range, on 57mm aluminium barrel with enclosed spring attached to white Tear Drop aluminium bottom bar as standard. 50mm drive barrel connected to electric motor operates blind by means of draw-tapes to the bottom bar. Supported by sturdy, attractive brackets.

Roller Blind Specification Guide

| Model | Min Width | Max Width | Max Drop | Max M ² |
|-------------------------|-----------|-----------|----------|--------------------|
| SKR57 Overhead Electric | 570 | 2500 | 2000 | 4.0 |



This product range comes with a full Lifetime Warranty as standard.