

VL65 Electric 230v AC

4,7vertical Blinds



Sol
Komfort
interiors



Vertical Blind Specification Guide

Model	Min Width	Max Width	Max Drop	Max M ²
4,VL65 Electric	400	4550	3200	14.5

Based on fabric weight of 220g/m², e.g. Thames. Use of heavier fabrics may require appropriate reductions.

4, VL65 Electric 230v AC

Features:

The 4,VL65 vertical blind has a 45 x 36.5mm white aluminium head-rail with top-fix brackets and wheeled carrier trucks. The constant transport of the louvres is guaranteed by a precise aluminium spindle shaft. Electric 230v AC operation with built in slip clutch controls both louvre tilt and draw. Louvres are supplied in 127mm, and 89mm widths with weights and white stabilising chain. Single or split draw.

Benefits:

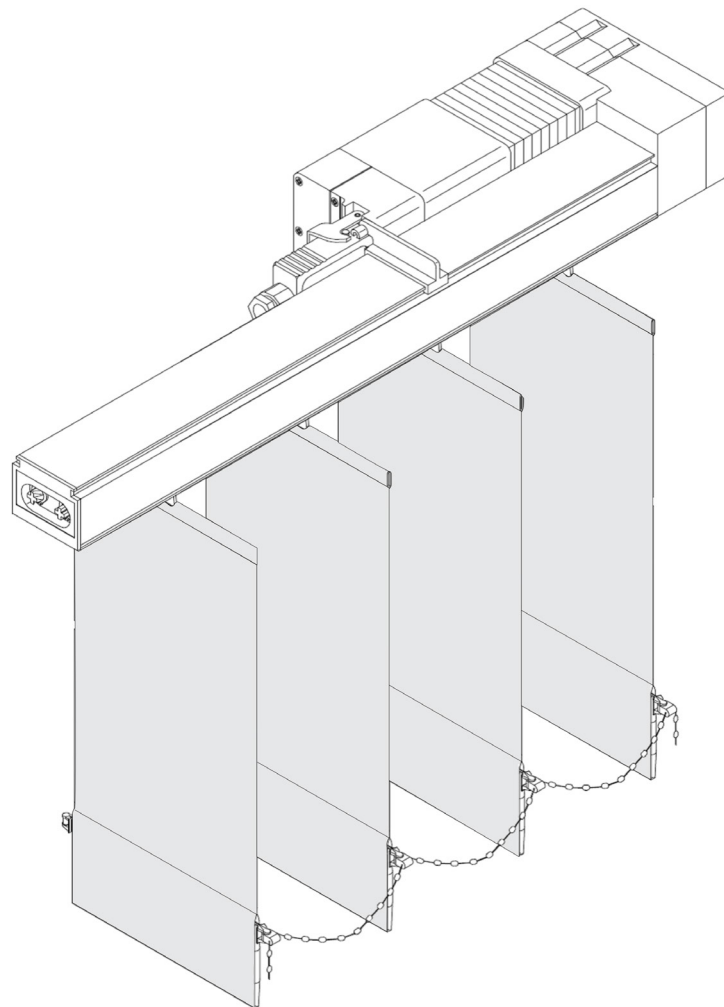
The 4,VL65 offers the ease of mono control - a precision driven gearbox to ensure continuous movement and one which automatically switches from tilting to traversing. By operating the electric control switch the louvres tilt and then traverse. The strong head-rail and wheeled carrier trucks are designed to withstand the rigours of intensive use, whilst the ingenious mechanism allows precise control of light transmission. Another robust, long-lasting blind from Yewdale.

Options:

VL65S sloping head-rail versions; Face fix brackets; Extension brackets; Enclosed weights; Radio remote control; Group control.

Specification:

The 4,VL65 electric vertical blind with 230v AC electric motor. 45 x 36.5mm white powder-coated head-rail with mono control by electric operation. 127/89mm louvres in flame retardant fabric from the 4, range, complete with louvre weights and white stabilising chain.



This product range comes with a full Lifetime Warranty as standard.