

# SK C42 Braked Spring

SK Cassetted Blinds



## SK C42 Braked Spring

### Features:

The SK C42 cassetted braked spring roller blind with premium quality spring and decelerator ensures smooth and quiet operation. Direct fix for top and face applications. Fabric is locked into a groove in the 32mm aluminium barrel, and features aluminium bottom bar with handle and a plastic cleat to hold the blind closed. Studs fitted at edge of fabric to retain it within side channels. Black or white hardware as standard.

### Benefits:

An attractive metal-framed blind with the added appeal of slow-rise, or braked, technology. It is generally used to reduce levels of light in a room, or as an insect screen as it has no mid-point stopping positions. The braked spring and decelerator mechanism is enclosed within the barrel.

### Options:

Black or white hardware available in any RAL colour.

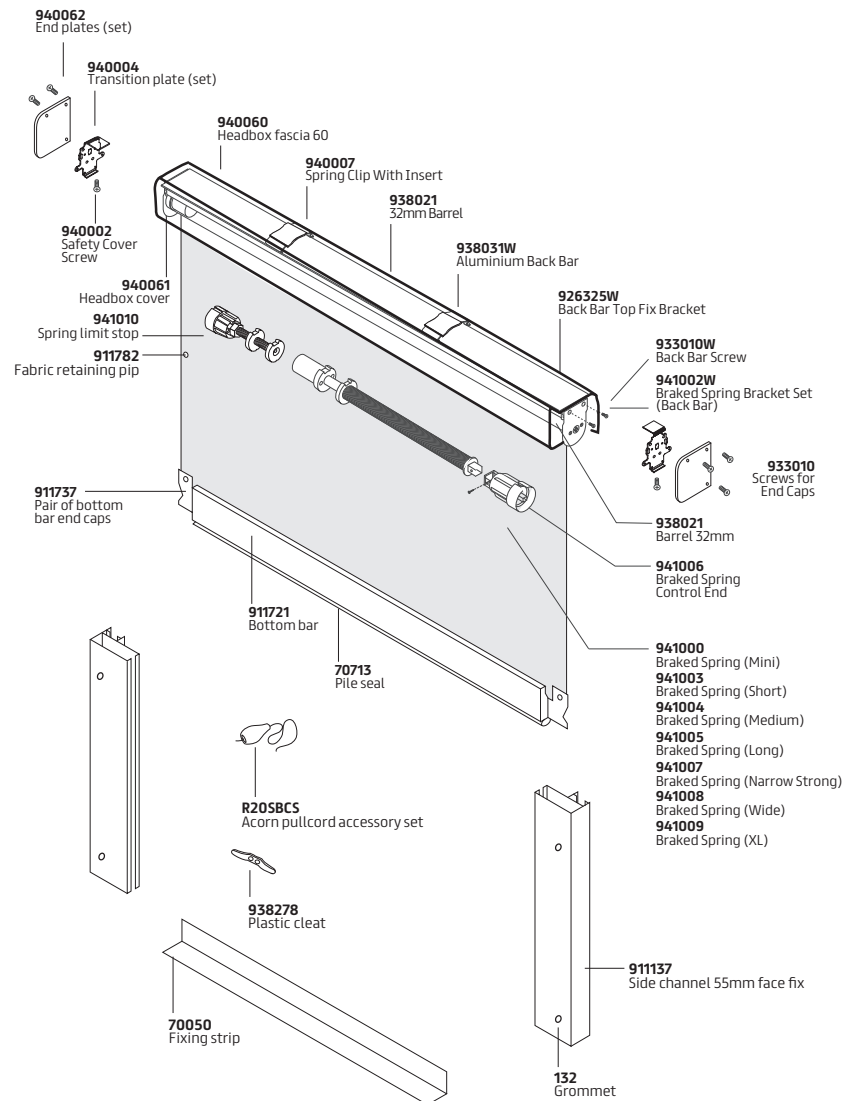
### Specification:

SK C42-60 braked spring control cassetted blind with side channels. Flame retardant fabric from the SK range, locked into grooved 32mm aluminium barrel along with aluminium bottom bar as standard and plastic cleat to hold the blind closed. Vandal resistant braked spring and spring end housed within black/white aluminium cassette with side channels and bottom bar.

Please note: caution should be used when installing in drafty conditions - blinds should not be left down in the situation of open windows.

## Cassetted Blind Profile Dimension Guide

Model	Cassette Size (HxD)	Barrel Size Ø	Side Channel Size (WxD)
SK C42-60	77 x 73mm	32mm	55 x 13mm



This product range comes with a full Lifetime Warranty as standard.