

SKC20 Sidewinder

Casseted Blinds



sol
komfort
interiors



Standard Bottom Bar Featured

SKC20 Sidewinder

Features:

All of the SKC20 sidewinder cassetted blinds come with an enclosed aluminium head-box as standard. This cassette is designed for top or face fixing and accommodates 32, 45, 53 or 70mm grooved aluminium barrels, depending on blind size and fabric weight. Fabric is locked into a groove in the barrel, and features an aluminium bottom bar. A robust Slipstream® sidewinder mechanism provides the effective means of operation with the use of metal control chain, held in place by a chain tidy. Black or white hardware as standard.

Benefits:

The excellent performance of a SK cassetted blind is further enhanced as an aesthetically pleasing solution. The quality sidewinder mechanisms are simple to operate and allow accurate control of blind position.

Options:

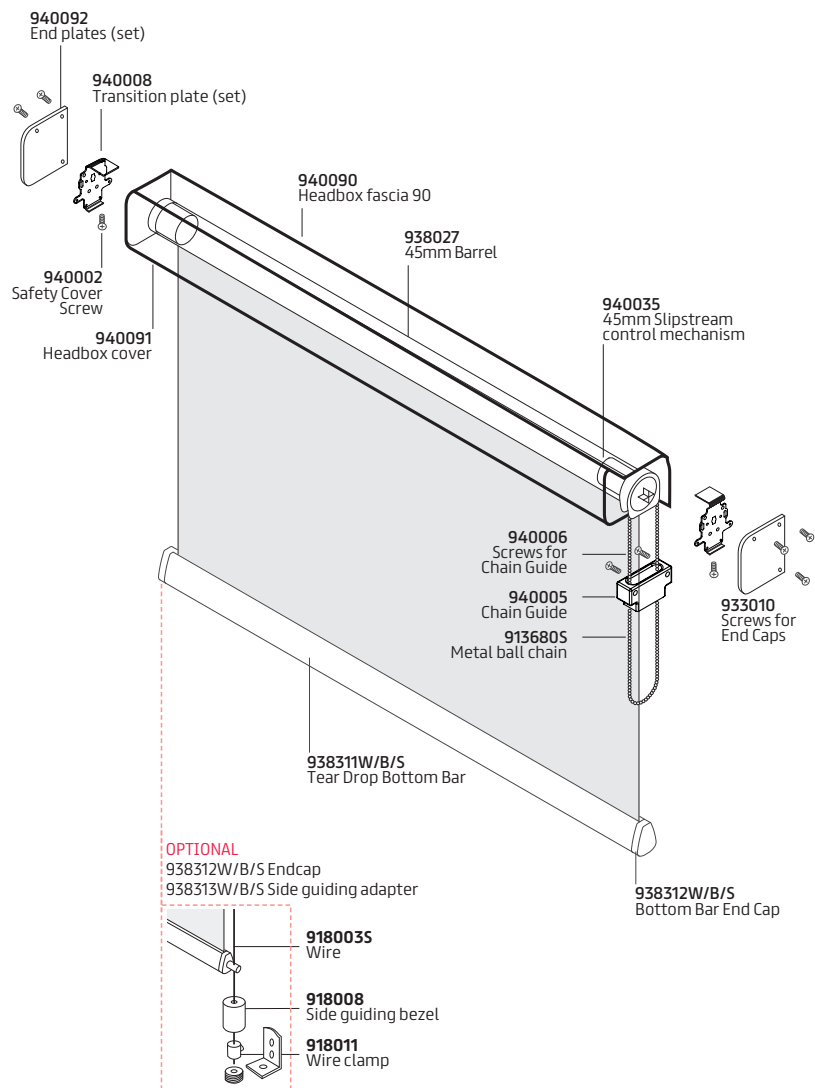
Black or white hardware; With side channels, SKC40-60/90/120. Wire side-guiding system; Available in any RAL colour.

Specification:

SKC20-60/90/120 cassetted blind. Flame retardant fabric from the SK range, locked into grooved 32/45/53/70mm aluminium barrel along with aluminium bottom bar as standard. Black/white aluminium cassette and bottom bar and incorporating metal control chain.

Casseted Blind Profile Dimension Guide

Model	Cassette Size (HxD)	Barrel Size Ø	Side Channel Size (WxD)
C20-60	77 x 73mm	32mm	n/a
C20-90	105 x 95mm	45mm	n/a
C20-120	140 x 120mm	53 / 70mm	n/a



Find this product
on NBS Source



This product range
comes with a full
Lifetime Warranty
as standard.