



Roller Blind Specification Guide

Model	Min Width	Max Width	Max Drop	Max M ²
R40-36 Premium Sidewinder	200	2450	3600	6.5
R40-53 Premium Sidewinder	200	3050	3450	9.0
R40-70 Premium Sidewinder	200	4700	5750	10.0



R40 Premium Sidewinder

Features:

The SKR40 heavy duty roller blind with premium sidewinder mechanism as standard. Choose between white plastic brackets for face or top fixing with 36mm grooved aluminium barrel, or white metal brackets with 53mm or 70mm grooved aluminium barrel, depending on blind size and fabric weight. Superior quality 1:4 geared sidewinder mechanisms for heavy duty operation, with metal control chain. The fabric is locked into a groove in the barrel and features a white Tear Drop aluminium bottom bar as standard.

Benefits:

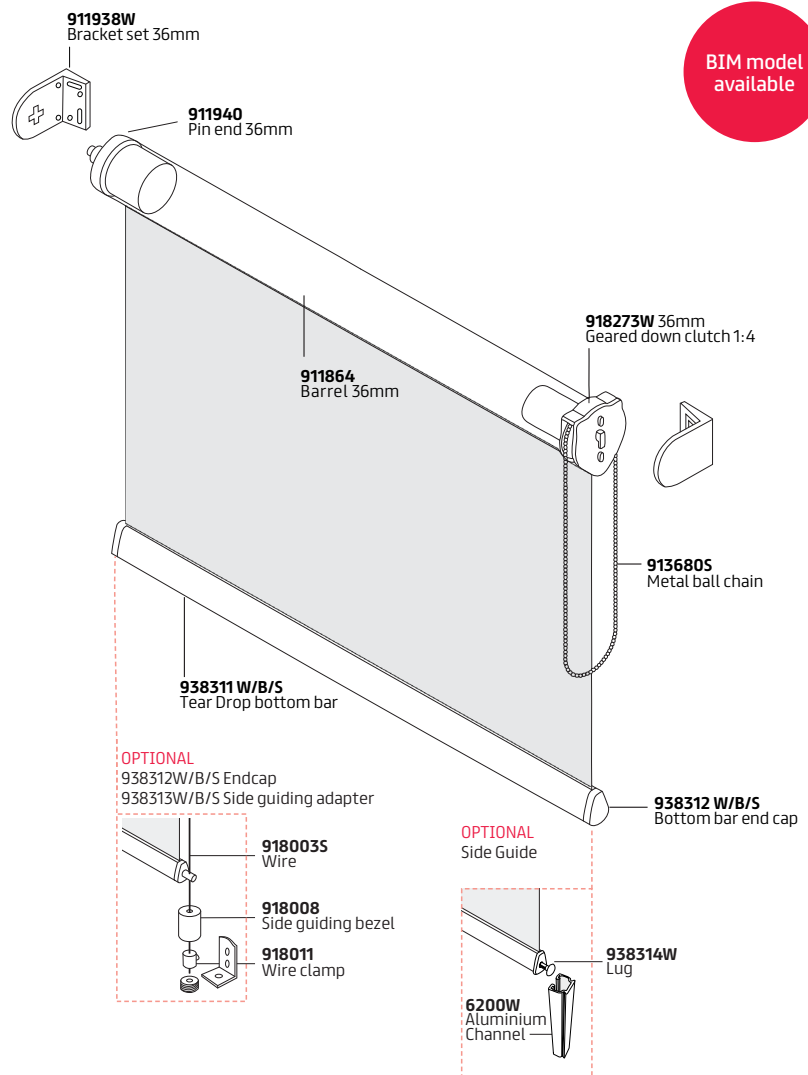
The SKR40 opens up a whole range of premium quality sidewinder controlled blinds. The control mechanisms are meticulously designed for a long and trouble-free life, and the wide choice of barrel sizes, ranging from the attractively slim 36mm to the extremely rigid 70mm, means that there is a superbly engineered sidewinder blind for almost every application. The fabric is located in the groove in such a way that, although it cannot be pulled out, it may be slid out sideways for easy repair or replacement.

Options:

Alternative bottom bars, in plastic or aluminium, including fabric covered; Tear Drop aluminium bottom bar in black or silver; Wire side-guiding system; White aluminium back bar; Fascia.

Specification:

SKR40 premium sidewinder roller blind with superior quality 1:4 geared sidewinder mechanism for heavy duty operation. Flame retardant fabric from the YewdaleDefiant® range, locked into grooved 36/53/70mm aluminium barrel along with white Tear Drop aluminium bottom bar as standard. Supported by sturdy, attractive brackets and incorporating metal control chain.



Find this product on NBS Source



This product range comes with a full Lifetime Warranty as standard.