

# SK R20S Braked Spring

SK Roller Blinds



sol  
komfort  
interiors



Standard Bottom Bar Featured

## SK R20S Braked Spring

### Features:

The SKR20S slow-rise spring roller blind promises smooth and quiet operation. White metal universal brackets for face or top fixing with 32mm grooved aluminium barrel. The fabric is locked into a groove in the barrel, and features a white Tear Drop aluminium bottom bar with cord pull as standard.

### Benefits:

Smooth and quiet operation makes the R20S an excellent choice for a vast range of applications. Where there is a need for child safety the R20S braked spring is the answer with the ease of use and the lack of cords, this provides the ultimate solution. The braked spring is enclosed within the barrel supported by sturdy, attractive metal brackets. Fabric is locked into barrel and bottom bar maintaining exceptional edge to edge coverage for even better shading properties.

Approved to work with the SK Anti-Ligature system.

### Options:

Spring limit stop; Alternative bottom bars, including fully fabric covered, in aluminium or plastic, and aluminium Tear Drop in black or silver; White aluminium back bar; Fascia.

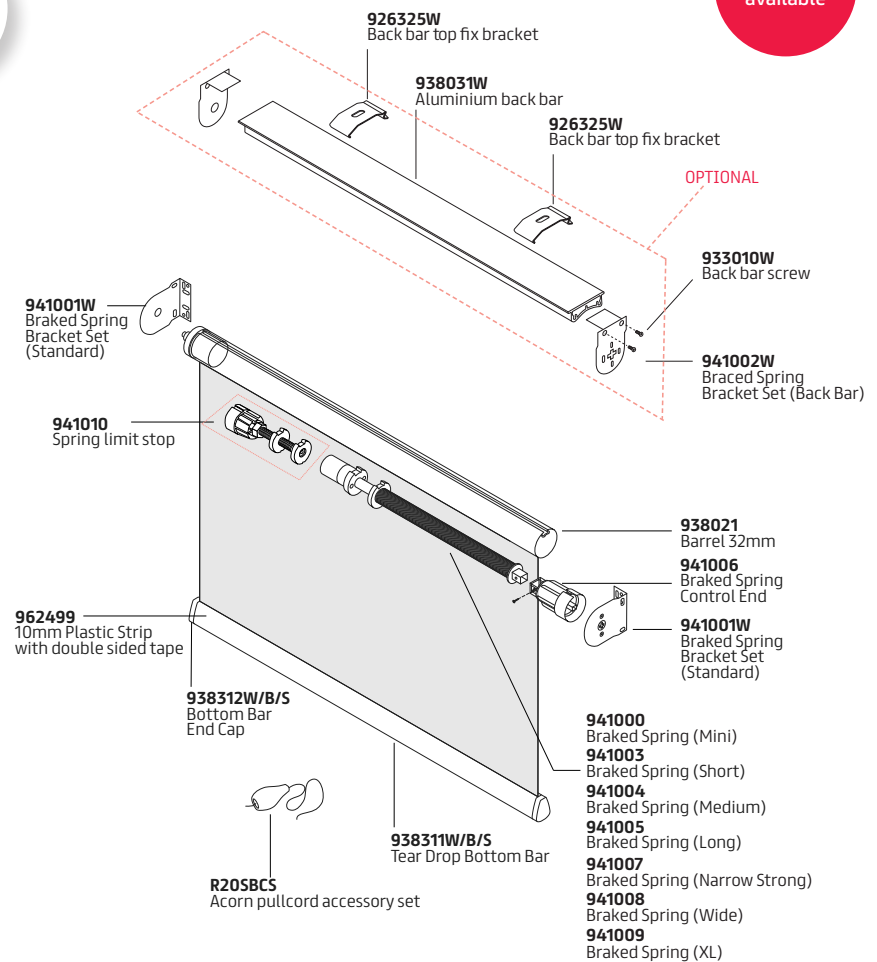
### Specification:

The SKR20S braked spring control roller blind with vandal resistant, child friendly braked spring. Braked spring and spring end is housed within an aluminium barrel, supported by white metal brackets. Flame retardant fabric from the SK range, locked into grooved 32mm aluminium barrel along with white Tear Drop aluminium bottom bar.

## Roller Blind Specification Guide

Model	Min Width	Max Width	Max Drop	Max M <sup>2</sup>
SK R20S Braked Spring	590	1800	2150	4.3

BIM model available



This product range comes with a full Lifetime Warranty as standard.