

SK C45 Electric 24v

Features:

The SKC45 electric cassetted blind with side channels features a low voltage 24v DC motor as standard. The cassette is designed for top or face fixing and accommodates a 40mm grooved aluminium barrel, housing the 24v DC motor. The motor is controlled by a switch which may be surface or flush mounted (not supplied as standard). Fabric is locked into a groove in the barrel with studs fitted at the edge of fabric to retain it within side channels. Aluminium bottom bar. Black or white hardware as standard.

Benefits:

Fingertip control and a slim yet sturdy aluminium frame help this blind lend an air of luxury to any environment and makes the C45 a perfect choice for motorised requirements. Its quiet and reliable motor is housed within the barrel and supported by sturdy, metal brackets.

Options:

Black or white hardware; Remote and/or group control systems in place of single switch; Tracker fabric retaining system; Available in any RAL colour.

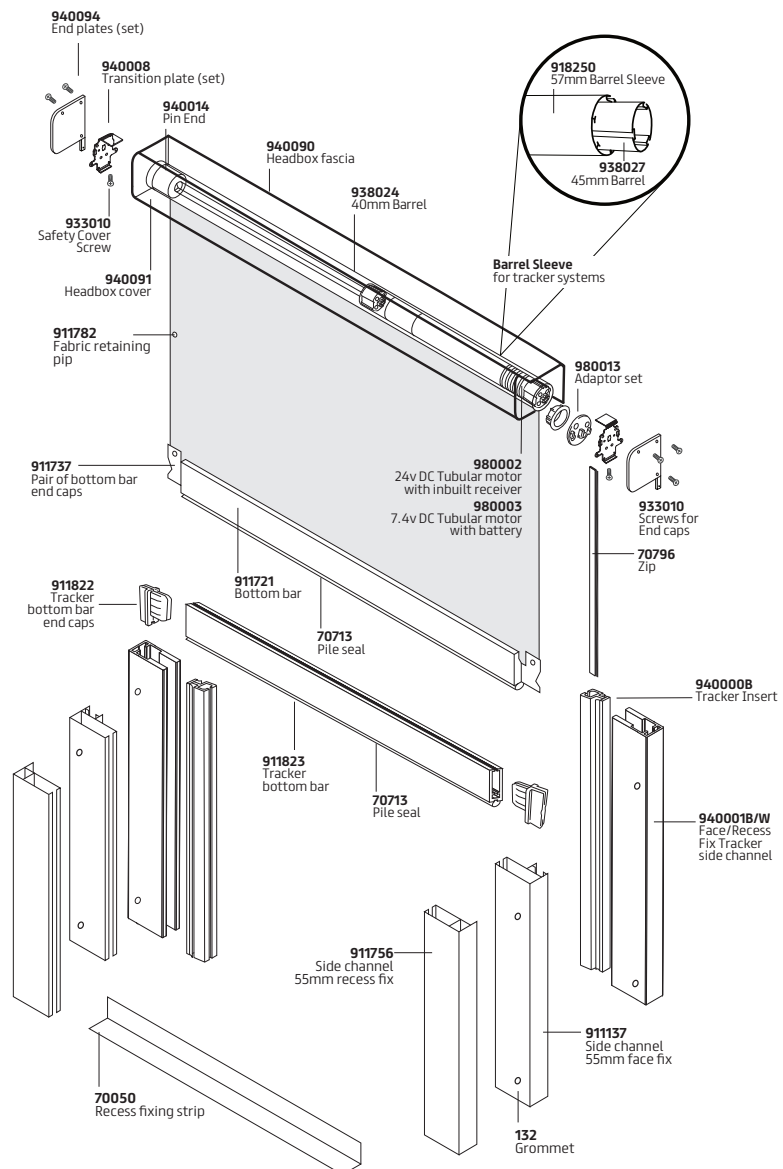
Specification:

The SK C45-60/90 low voltage electric cassetted blind with side channels. Flame retardant fabric from the SK range, locked into grooved 40mm aluminium barrel along with aluminium bottom bar as standard. Low voltage 24v DC motor is housed within black/white aluminium cassette with side channels and bottom bar.

Please note: caution should be used when installing in drafty conditions - blinds should not be left down in the situation of open windows.

Cassetted Blind Profile Dimension Guide

Model	Cassette Size (HxD)	Barrel Size Ø	Side Channel Size (WxD)
SK C45-60	77 x 73mm	40mm	55 x 13mm
SK C45-90	105 x 95mm	40mm	55 x 13mm



Find this product on NBS Source



This product range comes with a full Lifetime Warranty as standard.